



Sink

Stripe

Sink - 1 bowl - Flat Edge - for standard built-in installation (SF)

Code: 4500 051 DX (Vasca a destra)

Code: 4500 052 SX (Vasca a sinistra)

Product Details

Materials/Finishes	Foster-brushed finish AISI 304 stainless steel
Cabinet	60 cm
Dimensions	873x513 mm
Edge/Installation Type	Flat Edge - for standard built-in installation (SF)
Cut out	840x480 mm
Number of bowls	1 bowl
Bowl dimension	500x350 mm
Waste fitting	automatic waste PM
Mixer holes	Two standard holes - 3rd and 4th holes on request
Standard fittings	fixing brackets, gasket, waste fitting, overflow and siphon. Packing: single carton box.

Features



High thickness



Deep bowls



Basket 3,5" waste fitting



Perimetral overflow

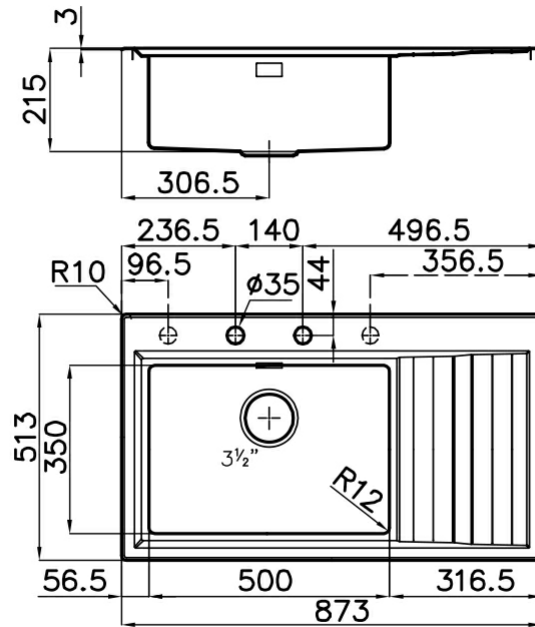


Small radius



2nd / 3rd hole available

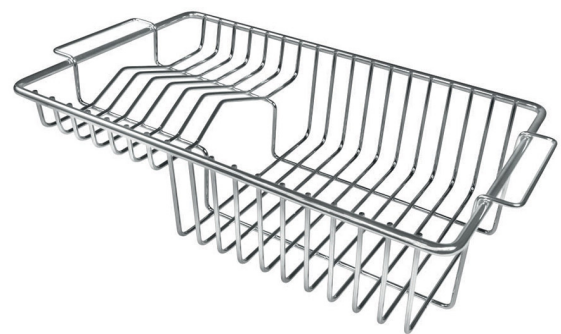
Dimensions



Optional accessories



chopping board 8643 117



stainless steel plate rack 8100 305

06-08-2019 12:28:20