



Range Top e top inox

Foster Milano

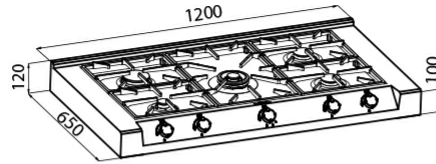
Range Top e top inox Foster Milano

Code: 3167 000

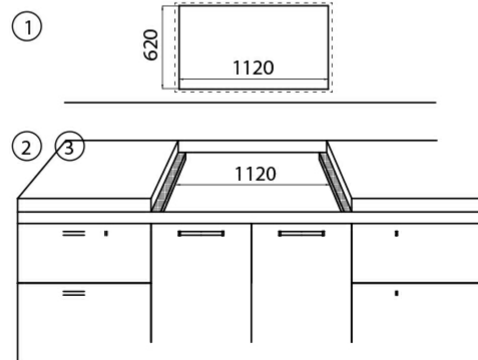
Product Details

Materials/finishes	Foster-brushed finish AISI 304 stainless steel
Cooking elements	Five burners
Grids	Cast iron grids and enamelled burner covers
Ignition	Under-knob electric ignition
Safety	Safety valves with ultra-rapid thermocouples
Dimensions	1200x650 mm
Total power	11.700 W
- Rapid	3.000 W
- Semirapid	2x1.750 W
- Dual	4.200 W
- Auxiliary	1.000 W
Gas type	Tested for installation with natural gas, LPG nozzle set included

Dimensions



Incasso



05-08-2019 17:01:29