



Dishwasher

Foster Milano

Dishwasher Foster Milano

Code: 2930 000

Product Details

| | |
|---------------------------------|--------------------------------------|
| Energy class | A+++ |
| Washing Efficiency | A |
| Drying Efficiency | A |
| Place-settings | 16 |
| Noise rate | 45 dB(A) sound power |
| Number of programs | 5 |
| Number of levels | 3 |
| Programming type | Electronic - Touch control |
| Delayed Programming | 1 - 24 h |
| Height adjustment | 0 - 50 mm |
| Frontal Adjustment Of Rear Feet | yes |
| Energy consumption | 0,86 kwh/ciclo |
| Water consumption | 9.5 Lt/ciclo |
| Door panel dimension limits | spessore 18-20 mm altezza 660 750 mm |
| Power Supply | 220-240V 50-60Hz |

Features



A+++



16 place-setting capacity



Perfect dry function



Slider system door



Water saving



Third level for cutlery



Acquastop safety



Extra rapid



Auto



Delayed programming



Adjustable basket

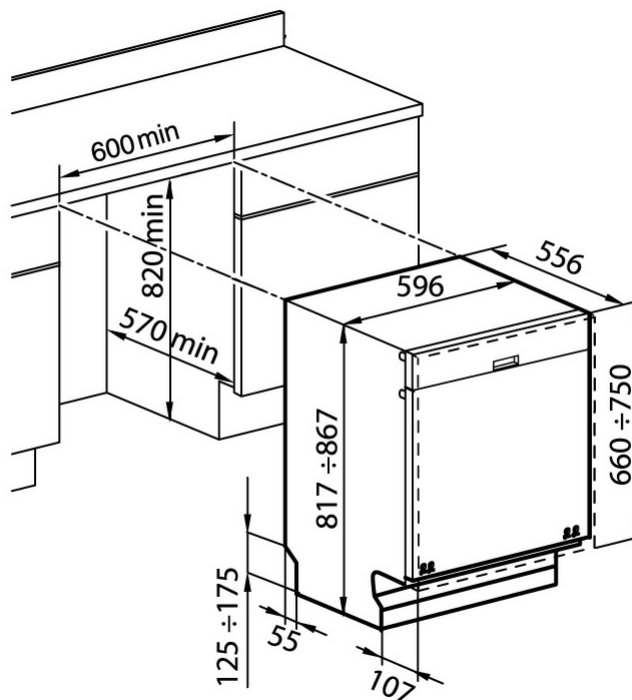


Tabs "all in one"



Total hygiene function

Dimensions



05-08-2019 16:34:47