



Sink

**KS**

Sink - 1 bowl - Standard Edge (STD) - for standard built in installation

Code: 2180 461 DX (Vasca a destra)

Code: 2180 462 SX (Vasca a sinistra)

## Product Details

Materials/Finishes	Microfoster finish AISI 304 stainless steel
Cabinet	60 cm
Dimensions	860x500 mm
Edge/Installation Type	Standard Edge (STD) - for standard built in installation
Cut out	840x480 mm
Number of bowls	1 bowl
Bowl dimension	450x400 mm
Waste fitting	3,5" waste
Mixer holes	One standard tap hole
Standard fittings	fixing brackets, gasket, waste fitting, overflow and siphon. Packing: single carton box.

## Features



Added value



Deep bowls

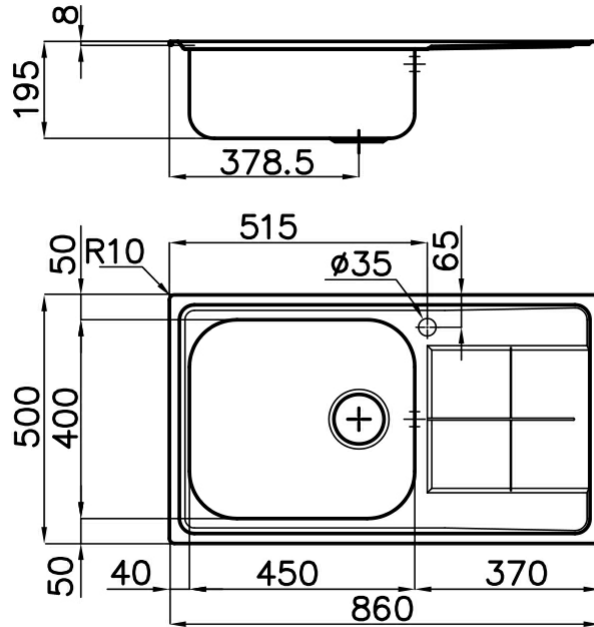


Basket 3,5" waste fitting



Sliding brackets

### Dimensions



### Optional accessories



iroko-wood  
chopping board  
8655 000



iroko-wood sliding  
chopping board  
8644 041



glass chopping  
board 8631 300



glass chopping  
board 8633 300



iroko-wood sliding  
chopping board  
8643 000



hpde chopping  
board 8657 001



hpde twin chopping  
board 8644 101



iroko-wood  
chopping board  
with stainless steel  
colander 8644 042



graters kit with ring-  
holder and food  
collection tray 8159  
101



white bowl 8153  
100



cestello inox 8612  
000



stainless steel plate  
rack 8100 303



stainless  
steel  
plate  
rack  
8100  
301

07-08-2019 15:08:24