



INSTALLATION INSTRUCTIONS

CARE AND USE MANUAL FOR:
WALL RANGE HOODS



HOOD MILANO WALL 30" 36" 48"
2456 911 - 2456 901 - 2457 901

Models covered by this instructions:
2456 911 - 2456 901 - 2457 901

***** BEFORE INSTALLATION *****

**ENSURE THERE IS NO VISIBLE OR HIDDEN DAMAGE SUSTAINED
DURING SHIPPING**

***** SHIPPING DAMAGE *****

MUST BE REPORTED WITHIN 5 DAYS OF RECEIPT

WARNING

*Thank you for purchasing a Foster Range Hood.
Please read all the instructions in this manual before
installing the appliance.*

Save these instructions for future reference.

Only use this appliance as an exhaust ventilation system for the removal of cooking vapors. **DO NOT** use to expel flammable substances or any other materials or vapors.

The installation procedures in this manual are intended for qualified installers, service technicians or persons with similar qualified background. **DO NOT** attempt to install this appliance yourself.

Ensure that electrical power is turned off at source before commencing installation. All electrical wiring must be properly installed, insulated and grounded and conform to all applicable codes and standards.

Make sure all existing duct work is clean of grease build up, or duct work should be replaced, if necessary, to avoid the possibility of a grease fire. Check all joints on ductwork to ensure proper connection and all joints should be properly taped. Be careful when cutting through ceilings or walls not to damage any hidden pipes or electrical wiring. Ensure your kitchen has sufficient air return vents to replace the exhausted air.

Fan ducts should always be vented to the outside of your home and never into spaces within walls, ceilings, lofts or attics. Only use rigid, smooth steel for ducting. The exhaust point of the blower requires a 6" round connection.

TABLE OF CONTENTS

BEFORE YOU BEGIN	4
DUCTING	4
External Venting Requirements	4
Duct Run Calculation	4
ELECTRICAL	5
Electrical Supply	5
INSTALLATION	6
Positioning the range hood	6
Marking the fixing holes for the range hood	6
Fixing the Main Support Bracket	6
Chimney installation	8
Hanging the range hood	8
Connecting Electricity and Ducting	8
Connecting Chimneys	9
Re-Circulating Requirements	10
OPERATING PROCEDURES	11
General Advice	11
Functions	11
MAINTENANCE	12
Cleaning the Filter	12
Cleaning the Hood	12
Light Bulb Replacement	12
WARRANTY	13

BEFORE YOU BEGIN

The manufacturer declines all responsibility in the event of failure to observe the instructions given here for installation, maintenance and suitable operation of the product. The manufacturer further declines all responsibility for injury due to negligence and the warranty of the unit automatically expires due to improper maintenance and/or installation.

BEFORE YOU BEGIN: It is advisable to test run the range hood before installation.

BEFORE STARTING – please read this entire document and ensure you are fully conversant with the requirements and limitations. These units weigh approximately 125lbs and therefore require a minimum of two people to install.

DUCTING

(Not applicable if the range hood is used in recirculating model)

WARNING: Do not vent this appliance into any other ductwork, spaces between walls, ceilings, attics, garages or any other confined space.

External Venting Requirements.

When planning new ductwork, always look for the most direct route to the outside. Venting can be done through the roof or directly through the back outside wall.

Only use rigid type metal ducting (plastic ducting is generally not permitted by code). Flexible ducting could restrict airflow by up to 50%. Always fasten connections with sheet metal screws and tape all joints with certified Silver Tape or Duct Tape.

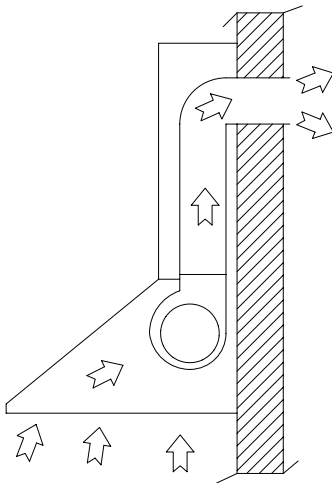
Do not use screws to fasten ductwork to the hood, only use tape as the screws will stop the dampers from opening and your hood will not work. This hood requires a 6" round duct outlet for the models with 1 motor, and 8" for the models with 2 motors. You can increase the duct size of the duct run but never decrease it.

Use the shortest and most direct route possible. Always, wherever reduce the number of transitions and turns with as few sharp angles as possible.

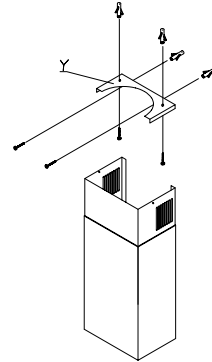
Two staggered 45 degree angles are better than one 90 degree. Make these turns as far away from the motor exhaust as possible, with as much space between each bend as possible.

Duct Run Calculation

The maximum duct run before effecting the performance of the hood is 100'. Calculate your duct run by measuring linear feet and adding the elbows, transitions and caps based on the table alongside.



Maximum Run	
6" or 8" or 3 1/4 x 10" duct	100FT
Deduct	
Each 6" or 8" 90 elbow used	15FT
Each 6" or 8" 45 elbow used	9FT
Each 6" or 8" or 3 1/4 x 10" duct	
Transition used	1FT
Each 3" 1/4 x 10" to 6" or 8"	
Transition used	5FT
Side Wall with damper	30FT
Roof cap	30FT



The ducting connection to the hood must be in line with the central vertical axis of the range hood 1" away from the back wall on which the hood is to be mounted. The 1" is important to enable the ceiling bracket to pass behind the ductwork servicing the range hood.

Range hoods may interrupt the proper flow of combustion gases from fireplaces, gas furnaces and gas water heaters.

To minimize the risk of drawing these lethal gases back into the home, please follow the heating equipment manufacturers safety standards and guidelines carefully.

Refer to NFPA and ASHRAE for additional information.

ELECTRICAL

WARNING: All electrical work must be performed by a qualified electrician.

Please ensure that the appropriate electrical codes or prevailing local building codes and ordinances are adhered to.

Ensure that the electricity supply is disconnected at source. Do not use an extension cord or adapter plug with this appliance.

This appliance must be grounded. Connect to a properly grounded branch circuit, protected by a 15 amp circuit breaker.

Electrical Supply.

This range hood requires a 120V, 60Hz. The electrical supply to the range hood should be at least 17" from the underside of the installed range hood.

The cooking surface and the lower part of the cooker hood must be at a minimum distance of 65 cm from one another.

The instructions given in the user manual of the hob are to be taken into full consideration.

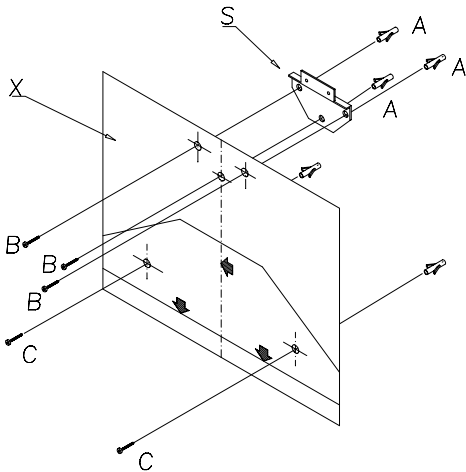
INSTALLATION

Positioning the Range Hood.

Determine the center point of the range hood. This is generally the center of the range. Make a mark on the wall a minimum of 25" above the top of an electric range. If the range is gas, the ideal minimum should be 30". Using a spirit level, draw a perfectly vertical line, starting at the center mark, right up to the ceiling or the highest point to where the hood will extend. This is the central axis for the range hood. Draw a horizontal line fractionally above where the bottom of the range hood will be positioned. This is the underside of the range hood.

Marking the Fixing Holes for the Range Hood.

Find the marking template provided called the "Assembly Scheme". Place the template against the wall. Align the horizontal line on the wall with the horizontal line on the template (indicated by two heavy arrows). Now align the vertical line on the wall with the "Central Axis" line on the template.

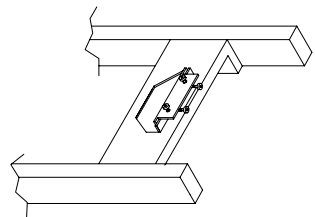


Gently tape the template to the wall making sure it has no creases or folds (use a tape that will not damage the wall finish). There are three hole positions shown for the wall bracket. Using a sharp object, mark the wall through the template at the center point of the three holes. Lower down on the template, you will see three sets of two holes. Only two of these holes refer to your model. Check which model you have and, using a sharp object, mark the two correct holes. These holes are used to anchor the range hood horizontally from inside the hood once it has been hung from the main bracket. Remove the template.

Fixing the Main Support Bracket

(CAUTION: Do not drill through any utilities inside the wall).

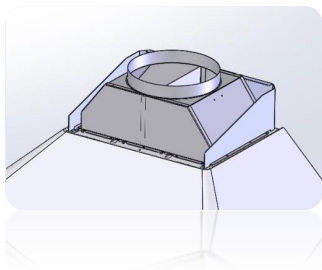
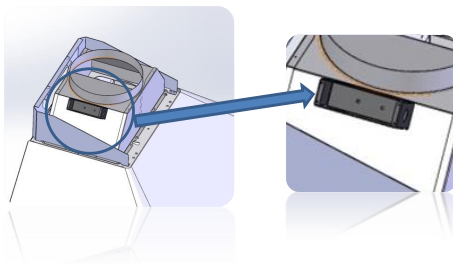
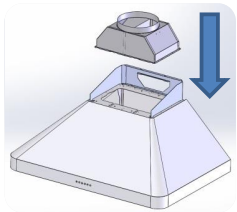
If the range hood will be fixed to drywall we strongly recommend that you discard the wall plugs and screws supplied. These anchors are only suitable for brick/masonry applications. We suggest the use of a more appropriate anchor system specifically designed for drywall applications. Wherever possible, it is advisable to place blocking between the studs, behind the drywall, to attach the support bracket to.



Drill the appropriate size holes at the marks made earlier and fix the Support Bracket ("S") securely to the wall. Ensure that any wall anchors have been fitted into the lower two holes, as the range hood will cover these holes once hung on the Support Bracket ("S").

Before installing the hood is necessary to fix the tow motor air outlet union with the screws that are in the accessory bag.

and fix the box to the just-fit union with two screws.



Then open the upper cover of the power box



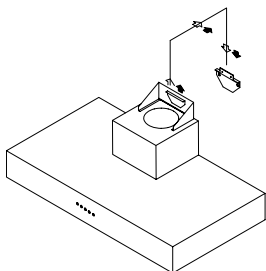
Chimney Installation.

Locate the bracket (item Y) and position it with the vertical axis (marked on the wall earlier) running through the midpoint of bracket "Y". This bracket fits onto the ceiling and onto the wall to secure the upper half of the decorative chimney in place. Mark the wall for the two anchors and mark the ceiling for the two anchors as indicated in Figure 2,

Fix bracket "Y - Fig.2" to the wall and ceiling.

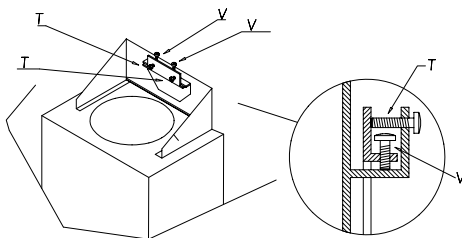
Hanging the Range Hood.

Prepare the range hood for installation. Remove all filters to ensure they do not get damaged during the installation process. Hang the range hood on the bracket "S".



The bracket fixed onto the back of the range hood will drop into the channel on the top of bracket "S" on the wall. Ensure the hood is securely engaged into the support bracket –the range hood must clip in behind the extended lip on the Support Bracket ("S").

"Lock" the range hood onto the "S" bracket using the four machine screws supplied.



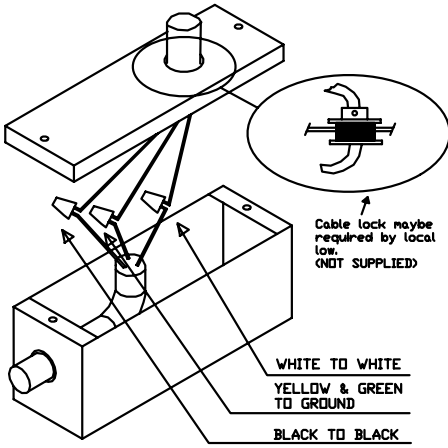
These screws are also used to make minor adjustments to the levelling of the range hood. Ensure the hood is level. Locate the two holes "C" inside the housing of the range hood and secure the range hood to the wall once the range hood is perfectly level and vertical.

Connecting Electricity and Ducting.

Please refer to the Electrical Supply section on page 2 for the required location of the electrical supply.

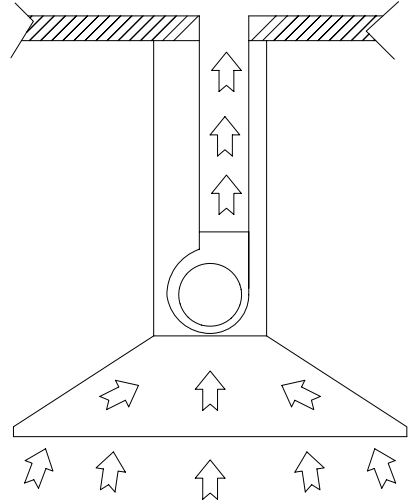
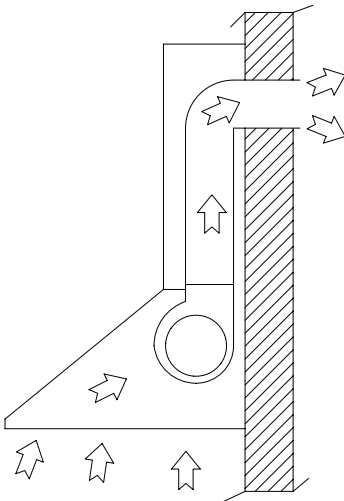
CAUTION: Make sure the power is turned off at source. Make electrical connections.

Ensure that the plastic flaps at the exhaust outlet for the fan move freely and have not become jammed or stuck.



Connect the appropriate length of ducting to the fan exhaust point and join up with the ducting to the exterior.

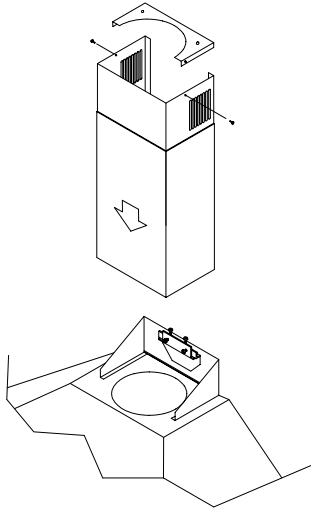
Shows venting directly through the wall. Venting up and through the ceiling to the exterior is also possible.



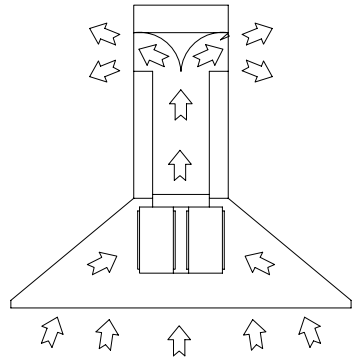
Do not fix the ducting to the range hood exhaust outlet with screws—use duct tape. Use duct tape on all joints.

Connecting Chimneys

Remove the protective covering from the decorative chimney and carefully slide the sections together. Do not remove the tape strips from inside the chimney as this protects the telescoping chimney-piece from scratching. Holding the two chimney sections together carefully position them over the ductwork and wiring. Position the upper chimney so that it can be fixed via the holes on the side of the ‘Y’ bracket on the ceiling.

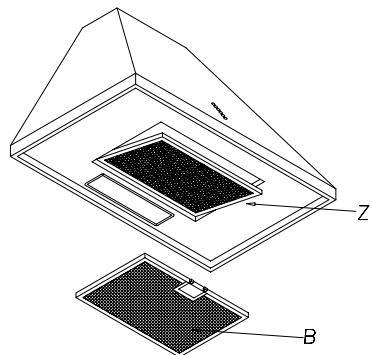
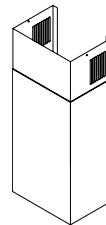
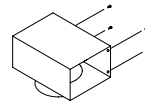


The carbon filter (supplied separately) that absorbs odors is installed behind the aluminium grease filter.



Re-Circulating Requirements.

If the unit is to be used in the re-circulating mode, fit the carbon filter after the installation is complete fit the deflector with the screws supplied to the upper telescope chimney. There are holes in the back upper edge of the decorative chimney for this purpose. A short length of ducting is connected between the exhaust outlet on the fan and the deflector to direct the air back into the kitchen through the vents at the top of the upper decorative chimney.



OPERATING PROCEDURES

Read all the instructions before operating the appliance. Save these instructions for future reference.

General Advice.

Ensure that the grease filters are in place. Without these components, operating blowers could catch on to hair, fingers and loose clothing.

Keep fan, filters and surfaces clean of grease and fat. Always turn hood fan ON when cooking. NEVER leave cooking unattended.

NEVER dispose cigarette ashes, ignitable substances or any foreign objects into blowers.

Cooking that generates flame is not recommended as this hood is equipped with a thermal overload that will shut down the motor if it senses excessive heat. When frying, oil in the pan can easily overheat and ignite. Heat oil slowly in an appropriately sized pot (covering the entire burner) to reduce the risk of boiling over and burning.

In the event of a range top grease fire, observe the following:

Switch OFF the range hood. Turn off the cook top then smother flames with a close fitting lid, cookie sheet or other metal tray. If the flames do not go out immediately.

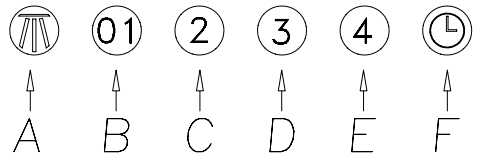
EVACUATE AND CALL THE FIRE DEPARTMENT.

Never pick up a flaming pan - you may be burned. DO NOT USE WATER including wet dishcloths or towels, as a violent steam explosion may occur.

FUNCTION

“Manual touch buttons”

- A: Light ON/OFF button
- B: Blower Speed 1 (low) or OFF
- C: Blower Speed 2 (medium)
- D: Blower Speed 3 (high)
- E: Blower Speed 4 (intensive)
- F: 10 Minute Timer



MAINTENANCE

The range hood should provide many years of trouble free use provided it is properly maintained. Be sure the lights are cool before cleaning the hood – they are halogen and become extremely hot.

Cleaning the Filter.

The aluminium mesh filters should be washed by hand or in the dishwasher as required. Damaged and worn filters must be replaced immediately. (Do not operate blower when filters have been removed). Allow filters to dry before replacing them, otherwise water will be drawn into the blower.

If a carbon filter has been fitted, this must be replaced every 6 months as a minimum, depending on usage and type of cooking that is performed.

It is suggested that a spare set of carbon filters is kept on hand. These can be ordered from the supplier of your range hood.

Cleaning the Hood

The outside and interior of your hood should be wiped regularly with a clean, damp cloth and mild household dish detergent or degreaser.

Use a good quality non-abrasive foaming type stainless steel cleaner for exterior surfaces.

Follow the manufacturers directions. Generally the foam is sprayed onto a clean dry cloth and then applied to the stainless steel. Allow the foam to react on the surface for a few minutes and then wipe with a clean dry cloth.

On the surfaces that are exposed directly to heat from the cook-top, it is advisable to clean these regularly to avoid the deposits from becoming baked on.

Do not use abrasive cleaning agents as these will destroy the brushed finish.

Replace the round LED LAMPS

To replace the round LED lamps you have to check first if it is possible to access the back side of the lamp with your hand.

If it is possible to access the back side of the lamp, you have to: insert your hand, push at the same time both support wings of the lamp, push to remove the lamp.

If it is not possible to access the back side of the lamp, you have to: provide yourself with a sharp utensil, insert the utensil between the lamp and the stainless steel frame (on the side where the little support wings are placed), push to remove the lamp from the cooker hood.



GENERAL CONDITIONS OF GUARANTEE

WHAT IS COVERED:

FOSTER guarantees its products for a period of 24 months from the date of original purchase by final customer, in both EU countries and countries outside the EU where recognized. The purchase must be verified with a valid receipt issued by the dealer (receipt, invoice or delivery note) that identifies the purchased product, date of purchase and / or delivery of the same. The buyer must report any esthetical defect within the first month of purchase of the product. The warranty covers manufacturing defects to all components except for the external piping and / or any accessories.

WHAT IS NOT COVERED:

- Damage caused during installation of the product (reversing doors, removing screws or brackets, adjusting feet, burners, etc.)
- Damage derived from the connection of the power, gas, water and/or electricity supply.
- Damage to knobs, handles, plastic parts, removable panels, lamps, glass parts and external rubber tubes.
- Damaged caused from accident, alteration, misuse, abuse, fire, flood, acts of God, improper installation or use of products not approved by Foster.
- Damage to external components on which the consumer may intervene directly during use and / or maintenance, and which may be subject to wear.
- The formation of rust and stains on the steel due to the use of unsuitable cleaning agents.
- Any functional defect indicated by the user and not confirmed during the process of verification by the technician. In this case the intervention fee will be charged in full to the consumer.
- Any parts that are Damaged from transportation not carried out by a Foster approved carrier.
- Incorrect installation or maintenance, insufficient or excessive electrical flow, plumbing or gas abnormalities, insufficiency of the chimneys, and poor fuel quality.
- Failure to follow the Foster instruction manual.
- Repair by unauthorized personnel.
- This warranty applies to appliances used in residential application; it does not cover their use in commercial situations, which are not allowed for this product.
- Travel fees and associated charges incurred when the product is installed in a location with limited or restricted access (i.e., isolated geographic regions located beyond 50 miles from the nearest Foster dealer).
- Also not included are service visits to:
 - a) Educate the customer in the proper use and care of the product.
 - b) Correct the installation. The customer is responsible for providing electrical wiring and/or gas installation and other connecting facilities.
 - c) Reset circuit breakers or replace home fuses.

Should the appliance be sold by the original purchaser during the warranty period, the new owner continues to be protected until the expiration date of the original purchaser's warranty period.

During the warranty period, FOSTER will replace, or repair free of charge, all components that are defective in origin, leaving unchanged the deadline and the warranty acquired at the time of purchase. The repair is free of charge provided it is carried out by an authorized FOSTER Technical Assistance Centre.

If the equipment is repaired at one of the Authorized Service Centres indicated by the manufacturer and in the case of replacement of the product, shipping will be free of charge. In cases where repair at home is declined, transport to and from the assistance centre will not be paid for or provided by FOSTER.

Once the warranty time has elapsed, the warranty becomes void and assistance will be made by debiting the cost of the replaced parts, and the costs of labour and transportation, according to the rates in force.

Authorized technicians will be sent in due time by FOSTER, with the desire of offering the best service available.

FOSTER is not liable for any damages, direct or indirect, caused to people, objects and pets for failure to follow all the instructions given in the instruction booklet and from damages resulting from the forced suspension of the use thereof.

FOSTER will not be liable for damages arising from any repairs made by unqualified staff untrained by the manufacturer.

This warranty applies to appliances used in residential application; it does not cover their use in commercial situations.

This warranty is for products purchased and retained in the 50 states of the U.S.A., the District of Columbia and the following provinces of Canada: Quebec, Ontario, Alberta, and British Columbia.

FOSTER DOES NOT ASSUME ANY RESPONSIBILITY FOR INCIDENTAL OR CONSEQUENTIAL DAMAGES.

Some states do not allow the exclusion or limitation of incidental or consequential damages, so the above limitation or exclusion may not apply to you. This warranty gives you specific legal rights and you may also have other rights which may vary from state to state or province to province.

Foster Service Center
7575 E Redfield Rd #129, Scottsdale, AZ 85260
Telephone (888) 639-6001
E-mail: foster@adcoservice.com
Fax: (480)998-7877

INSTRUCTIONS IMPORTANTES POUR LA SÉCURITÉ

*Merci d'avoir choisi une Hotte de Cuisine Foster.
Veuillez lire attentivement toutes les instructions
avant l'installation et l'utilisation de l'appareil.*

*Conservez ces instructions afin de pouvoir les con-
sulter au besoin.*

Cet appareil est destiné à la ventilation générale seulement. **NE L'UTILISEZ PAS** pour évacuer des vapeurs ou des substances dangereuses ou explosives.

Confiez l'installation et les réparations uniquement à un professionnel, conformément aux normes de sécurité en vigueur.

N'ESSAYEZ PAS d'installer cet appareil par vous-même.

Avant l'installation veillez que l'appareil soit hors tension.

Tout le câblage électrique doit être correctement installé, isolé de mise à la terre conformément aux codes et aux normes applicables.

Assurez-vous que les conduits d'évacuation sont propres et libres d'accumulation de graisses ou remplacez les conduits pour éviter de provoquer un incendie.

Vérifiez que tous les joints du conduit sont bien fixés et scellés. Faites attention lors des travaux de maçonnerie de ne pas endommager des tuyaux ou câbles électriques. Assurez-vous que votre cuisine est équipée de bouches de ventilation qui évacuent l'air vicié.

Le conduit de ventilation doit toujours terminer à l'extérieur et jamais dans des espaces clos, plafonds ou greniers. Pour le conduit utilisez seulement des éléments rigides en acier lisse.

La sortie de la soufflante nécessite d'un conduit rond de 6".

TABLE DES MATIÈRES

AVANT DE COMMENCER	17
CONDUIT	17
Version évacuation extérieure	17
Calcul Longueur Conduit	17
ÉLECTRICITÉ	18
Alimentation Électrique	18
INSTALLATION	19
Positionnement de la Hotte	19
Perçage du Mur pour le Positionnement de la Hotte	19
Fixation Étrier de Support Principal	19
Installation de la Cheminée	21
Accrochage de la Hotte	21
Branchement Électrique et Conduit	21
Raccordement de la Cheminée	22
Mode Recyclage	23
PROCÉDURES D'UTILISATION	24
Recommandations Générales	24
Fonctions	24
ENTRETIEN	25
Nettoyage des Filtres	25
Nettoyage de la Hotte	25
Remplacement des Ampoules	25
N'enlevez pas	25
GARANTIE	27

AVANT DE COMMENCER

Le fabricant décline toute responsabilité en cas de dommages causés par un non respect des instructions d'installation, d'utilisation et d'entretien contenues dans cette notice. Le fabricant décline toute responsabilité causée par négligence et la garantie cesse automatiquement en cas de mauvais entretien et/ou installation du produit.

AVANT DE COMMENCER : On conseille de vérifier le fonctionnement de la hotte avant son installation.

AVANT DE COMMENCER – Lisez attentivement cette notice afin d'avoir les connaissances requises pour utiliser ce produit. Ce produit pèse env. 125lbs et nécessite donc un minimum de deux personnes pour son installation.

CONDUIT

(Ne s'applique pas si la hotte est en mode Recyclage).

REMARQUE: Ne branchez jamais ce produit à un autre conduit d'évacuation, des espaces entre deux murs, plafonds, greniers, garages ou espaces clos.

Version évacuation extérieure.

Lors du montage du conduit d'évacuation, cherchez la voie la plus directe vers l'extérieur. Le conduit peut évacuer l'air par le toit ou directement par le mur extérieur.

Utilisez seulement des tuyaux rigides en métal (les tuyaux en plastiques sont interdits par le code).

Les conduits flexibles limitent le flux d'air du 50%. Fixez toujours les raccords avec des vis en tôle et isolez tous les joints avec du ruban adhésif métallique (ou pour conduit).

N'utilisez pas des vis pour fixer le conduit à la hotte; utilisez uniquement du ruban adhésif, du moment que les vis peuvent empêcher l'ouverture des clapets anti retour et en ce cas la hotte ne fonctionnera pas.

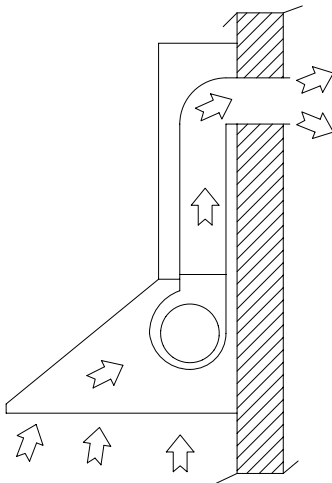
Cette hotte nécessite d'un conduit d'évacuation de 6" pour les modèles avec un moteur et 8" pour les modèles avec 2 moteurs. Il est possible d'utiliser un conduit plus grand, mais pas un plus petit.

Optez pour la voie la plus courte et la plus directe. Evitez, si possible, le nombre des raccords et des coudes.

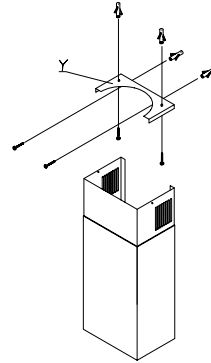
Il est préférable d'utiliser deux coudes de 45° plutôt qu'un coude de 90°. Positionnez les coudes loin de l'échappement du moteur et évitez de les positionner trop près les uns des autres.

Calcul Longueur Conduit:

La longueur maximale du conduit qui n'influe pas sur le rendement de la hotte est de 100". Calculez la longueur du conduit en mesurant les pieds linéaires et en ajoutant les coudes, les raccords et les bouchons selon le schéma suivant.



Maximum Run	
6" or 8" or 3 1/4 x 10" duct	100FT
Deduct	
Each 6" or 8" 90 elbow used	15FT
Each 6" or 8" 45 elbow used	9FT
Each 6" or 8" or 3 1/4 x 10" duct	
Transition used	1FT
Each 3" 1/4 x 10" to 6" or 8"	
Transition used	5FT
Side Wall with damper	30FT
Roof cap	30FT



Le raccordement du conduit à la hotte doit être en ligne avec l'axe centrale verticale de la hotte de 1" et loin du mur postérieur sur lequel la hotte sera positionnée. La mesure 1" est importante pour permettre au support de plafond de passer derrière le conduit de la hotte.

Les hottes peuvent empêcher la bonne évacuation des fumées des cheminées, des fours et des chauffe-bains à gaz.

Afin de minimiser le risque que ces gaz mortels peuvent retourner dans la maison, observez les normes de sécurité et les directives en vigueur.

Consultez les normes NFPA et ASHRAE pour plus d'informations.

ÉLECTRICITÉ

ATTENTION : Tous les travaux électriques doivent être effectués par un électricien qualifié.

Afin d'assurer la qualité des travaux de construction et d'électricité observez les normes en vigueur.

Assurez-vous que l'alimentation électrique est coupée. Évitez d'utiliser une rallonge ou un adaptateur pendant cette opération.

Cet appareil doit être mis à la terre et le circuit doit être protégé par un disjoncteur de 15 amp.

Alimentation Électrique.

Cet appareil nécessite 120V/60Hz. L'alimentation électrique se doit trouver au moins à 17" du dessous de la hotte installée.

Pour une installation type, où la distance entre la partie inférieure de la hotte et la surface de la table de travail est de 30" et la distance entre la table de travail et le sol de 36", l'alimentation électrique se doit trouver à 76" du sol et pas plus de 3" à droite (en regardant le mur) par rapport à l'axe centrale de la hotte.

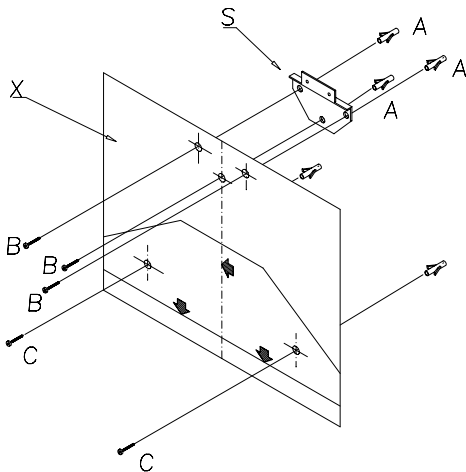
INSTALLATION

Positionnement de la Hotte.

Déterminez le centre de la hotte. Marquez d'une croix sur le mur la hauteur de 25" si votre table de cuisson est électrique et une hauteur minimale de 30" si votre table de cuisson est à gaz. En utilisant un niveau à bulle tracez une ligne parfaitement verticale, à partir du centre vers le plafond ou vers le point le plus élevé où positionner votre hotte. C'est l'axe central de la hotte. Tracez une ligne horizontale où le bas de la hotte sera positionné. Il s'agit de la partie inférieure de la hotte.

Perçage du Mur pour le Positionnement de la Hotte:

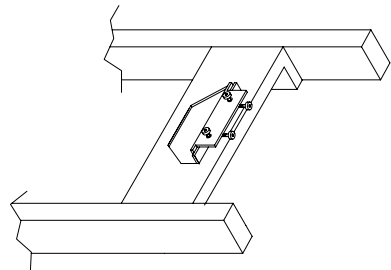
Prenez le gabarit de perçage fourni, appelé « Schéma de Montage ». Placez le gabarit contre le mur. Alignez la ligne horizontale du mur avec la ligne horizontale du gabarit (indiquée par les deux flèches). Maintenant alignez la ligne verticale du mur avec la ligne de l'« axe central » du gabarit.



Appliquez doucement le gabarit sur le mur en vous assurant qu'il est lisse et sans plis (utilisez un ruban adhésif qui n'endommage pas la finition du mur). Il y a trois positions de perçage pour le support mural. Utilisez un outil pointu, marquez le mur par le gabarit au point milieu des trois trous. Au bas du gabarit, il y a trois séries de deux trous. Seulement deux de ces trous se réfèrent à votre modèle. Vérifiez quel modèle vous avez et, toujours en utilisant un outil pointu, marquez les deux trous justes. Ces trous servent pour l'ancrage de la hotte horizontalement par l'intérieur de la hotte, une fois quelle a été positionnée sur le support principal. Retirez le gabarit.

Fixation Étrier de Support Principal (ATTENTION de ne pas endommager les conduites)

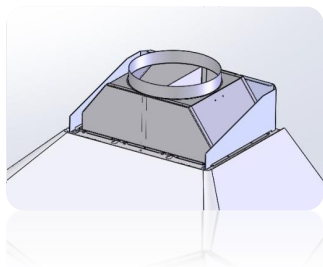
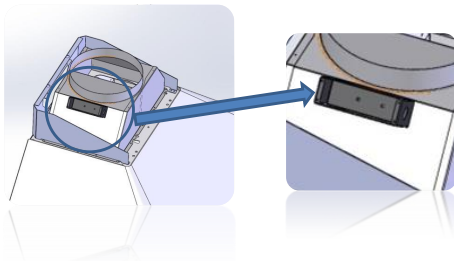
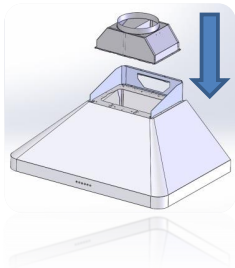
Si vous fixez la hotte sur du plaque de plâtre, on vous conseille vivement d'enlever/éliminer les chevilles et les vis fournies. Ces ancrages ne conviennent que pour une utilisation avec briques/maçonnerie. On vous conseille d'utiliser un système d'ancrage plus adapté et spécifiquement conçu pour la plaque de plâtre, autant que possible, il est préférable d'utiliser des blocages entre les poutres, derrière la plaque de plâtre, pour y fixer l'étrier de support.



Percez le mur aux endroits précédemment marqués et fixez bien l'étrier au mur. Assurez-vous que les chevilles ont été insérées dans les deux trous inférieurs, ainsi la hotte les couvrira une fois qu'elle est positionnée sur l'étrier ("S").

Avant d'installer la hotte, il est nécessaire de fixer le raccord de sortie d'air à deux moteurs avec les vis qui se trouvent dans le sachet des accessoires.

et fixez la boîte avec les deux vis dans le raccord qui vient d'être monté.



Ensuite, ouvrez le couvercle de la boîte d'alimentation



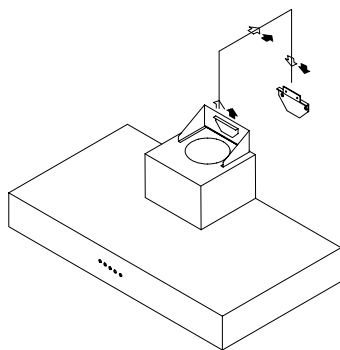
Installation de la Cheminée.

Repérez l'étrier de support (article Y) et positionnez-le sur l'axe verticale (marqué sur le mur précédemment) qui passe par le centre de l'étrier Y. Cet étrier de support doit être positionné au plafond et au mur pour permettre de fixer la partie supérieure de la cheminée décorative dans son logement. Marquez sur le mur et sur le plafond le positionnement des deux axes d'ancrage, comme indiqué dans la.

Fixez l'étrier de support au mur et au plafond.

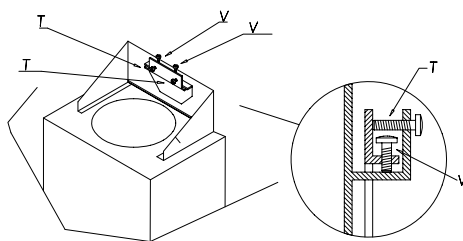
Accrochage de la Hotte.

Préparez la hotte pour son accrochage. Enlevez les filtres pour ne pas les endommager pendant l'installation. Accrochez la hotte sur l'étrier de support "S".



L'étrier fixé à la partie postérieure de la hotte se glisse dans la rainure de la partie supérieure de l'étrier de support "S" du mur. Assurez-vous que la hotte est correctement insérée dans l'étrier de support - la hotte doit s'accrocher derrière le bord étendu de l'Étrier de Support ("S").

Fixez la hotte à l'étrier "S" avec les 4 vis à métaux fournies.



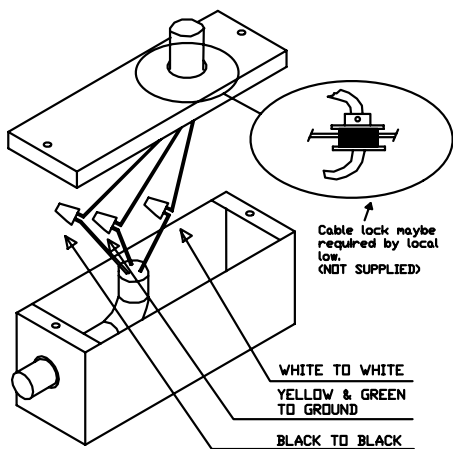
Ces vis sont également utilisées pour apporter des modifications mineures au nivellement de la hotte. Assurez-vous que la hotte est à niveau. Localisez les deux trous pour vis "C" à l'intérieur de la hotte et fixez-la au mur en vous assurant qu'elle est parfaitement à niveau.

Branchement Électrique et Conduit.

Faites référence au paragraphe Alimentation Électrique à la page 2 pour l'endroit où effectuer le branchement.

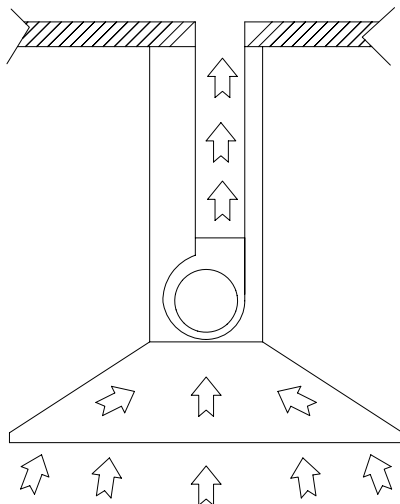
ATTENTION: Assurez-vous que l'alimentation est coupée. Effectuez le raccordement électrique.

Veillez à ce que les volets en plastiques de la sortie des fumées se bougent librement et qu'ils ne sont pas bloqués ou coincés.

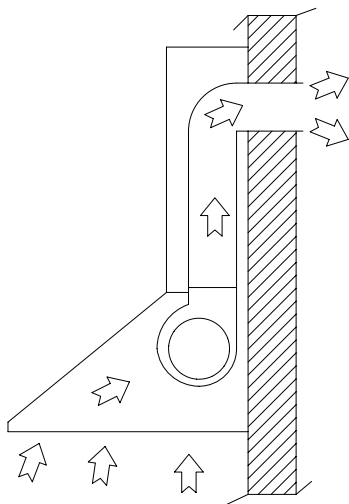


Raccordez le conduit de longueur appropriée à la sortie d'air du ventilateur et puis au conduit qui porte à l'extérieur.

Montre l'évacuation à travers le mur. Une évacuation par le plafond est également possible.

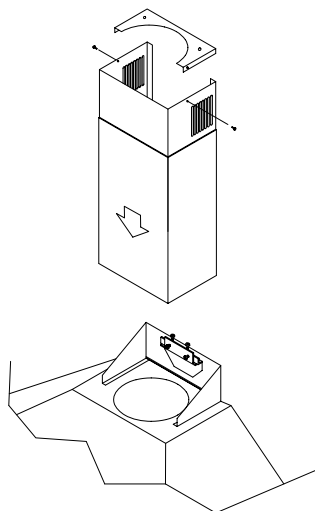


Ne fixez jamais le conduit à la sortie d'évacuation de la hotte avec des vis - utilisez uniquement du ruban adhésif. Utilisez uniquement du ruban adhésif pour tous les joints.

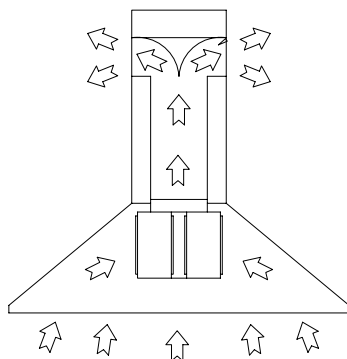


Raccordement de la Cheminée.

Enlevez la protection de la cheminée décorative et faites glisser soigneusement les sections ensemble. N'enlevez pas les bandes adhésives à l'intérieur de la cheminée car ils protègent le télescope contre les rayures. Tenez les deux sections de la cheminée et positionnez-les sur le conduit et le câblage. Positionnez la cheminée supérieure de façon qu'elle puisse être fixée par les trous pour vis du support "Y" au plafond.



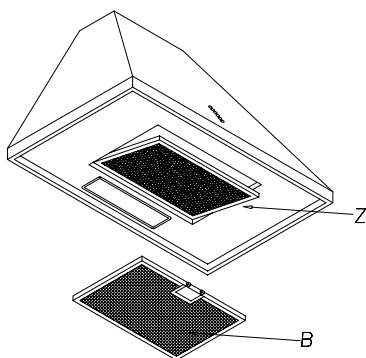
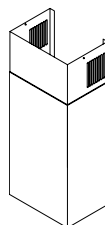
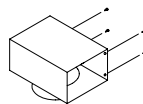
Le filtre à charbon (fourni séparément) qui absorbe les odeurs, se trouve derrière le filtre à graisse en aluminium.



Mode Recyclage.

Si vous utilisez l'appareil en mode recyclage, insérez les filtres à charbon une fois l'installation complétée.

Fixez le déflecteur avec les vis à la partie supérieure du télescope de la cheminée. A ce propos, il y a des trous pour vis sur l'arrière de la cheminée décorative. Un conduit court se trouve entre la sortie d'évacuation et le déflecteur pour diriger l'air dans la cuisine à travers des orifices d'air qui se trouvent sur la partie supérieure de la cheminée décorative.



PROCÉDURES D'UTILISATION

Lisez attentivement toutes les instructions avant cette opération. Conservez ces instructions afin de pouvoir les consulter au besoin.

Recommandations Générales.

Assurez-vous que les filtres sont en place. Sans ces filtres, l'appareil peut aspirer vos cheveux, doigts ou vêtements.

Maintenez propre de graisse le ventilateur, les filtres et les surfaces. Mettez TOUJOURS en marche la hotte pendant la cuisson. Ne laissez JAMAIS des aliments cuire sans surveillance.

Ne jetez JAMAIS les cendres de cigarettes, des substances inflammables ou autres objets étrangers dans le ventilateur.

Évitez une cuisson qui peut générer des flammes, car la hotte est équipée d'un détecteur thermique qui arrête le moteur à une chaleur excessive.

Lorsque vous faites des fritures, l'huile dans la poêle peut facilement se surchauffer et s'enflammer. Faites chauffer l'huile lentement dans une casserole de taille appropriée (couvrant entièrement le brûleur) réduisant ainsi le risque de la faire déborder et s'enflammer.

Dans le cas où l'huile s'enflamme, observez ce qui suit:

Eteignez la hotte. Eteignez la table de cuisson et étouffez les flammes avec un couvercle hermétique, une tôle à biscuits ou autre plateau métallique. Si les flammes ne s'éteignent pas immédiatement.

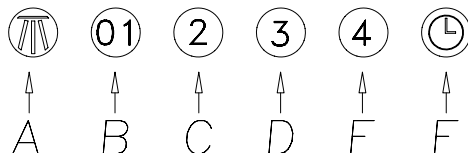
SORTEZ ET APPELEZ LES POMPIERS.

Ne ramassez jamais une casserole enflammée - vous pouvez vous brûler. N'UTILISEZ JAMAIS DE L'EAU, y compris des serviettes ou lavettes mouillées, car une explosion peut se produire.

FONCTIONS

"Touches Sensitives"

- A: Touche lumière ON/OFF
- B: Vitesse ventilateur 1 (réduite) ou OFF
- C: Vitesse ventilateur 2 (moyenne)
- D: Vitesse ventilateur 3 (élevée)
- E: Vitesse ventilateur 4 (intensive)
- F: Minuterie 10 min.



ENTRETIEN

Un entretien soigné garantit un bon fonctionnement et un bon rendement dans le temps.

Assurez-vous que les ampoules sont froides avant de nettoyez la hotte – les ampoules halogènes deviennent très chaudes.

Nettoyage des Filtres.

Lavez les filtres à maille en aluminium à la main ou au lave-vaisselle. Remplacez immédiatement les filtres usagés ou endommagés. N'utilisez jamais la hotte sans ses filtres. Avant de replacer les filtres, assurez-vous qu'ils sont bien secs pour ne pas endommager le ventilateur.

Remplacez le filtre au moins tous les 6 mois, selon le type et la fréquence des cuissons.

Nous vous suggérons de garder des filtres de recharge. Vous pouvez les commandés auprès le fournisseur de votre hotte.

Nettoyage de la Hotte.

Nettoyez l'intérieur et l'extérieure de la hotte avec un chiffon propre et du détergent doux.

Utilisez un détergent non abrasif sous forme de mousse pour les parties en acier.

Lisez les instructions du fabricant.

Généralement on conseille de vaporiser le détergent sur un chiffon propre et de le passer sur les parties en acier inoxydable. Laissez agir le produit sur la surface pendant quelques minutes, puis nettoyer avec un chiffon.

Sur les surfaces qui sont exposées directement à la chaleur, on conseille de les nettoyer régulièrement pour éviter des taches indélébiles.

N'utilisez jamais un produit abrasif qui peut rayer et endommager l'acier.

Remplacer les lampes LED rondes

Pour remplacer les lampes LED rondes, vous devez d'abord vérifier s'il est possible d'accéder à l'arrière de l'application de la lampe avec la main.

S'il est possible d'accéder à l'arrière de l'ap pareil vous devez : insérer votre main, appu yer sur la touche en même temps, les deux ailes de soutien et appuyez pour retirer la lampe.

S'il n'est pas possible d'accéder à l'arrière de l'appareil de la lampe, vous devez : vous mu nir de un ustensile pointu, insérez l'ustensile entre le et le cadre en acier inoxydable (sur la lampe du côté où sont placées les petites ailes de soutien), pour retirer la lampe de la hotte de la cuisinière.





CONDITIONS GENERALES DE GARANTIE FOSTER

CE QUI EST INCLUS:

FOSTER garantie ses produits pour une période de 24 mois à partir de la date d'achat par le client particulier. L'achat doit être prouvé par une facture ou reçu valide de la part du vendeur qui identifie le produit acheté et la date d'achat et/ou livraison du même.

L'acheteur doit signaler tout défaut esthétique dans la limite d'un mois après la date d'achat du produit.

La garantie couvre les défauts de production de tous les composants sauf la tubulure externe et/ou les accessoires.

CE QUI N'EST PAS INCLUS:

- Dégâts causés pendant l'installation du produit (inversion des portes, enlèvement de vis ou pâtes de fixation, réglage des pieds, brûleurs etc.).
- Dégâts causés par le branchement au réseau électrique, gaz, eau.
- Dégâts aux manettes, poignées, parties en plastique, panneaux amovibles, lumières, parties en verre et tubes caoutchouc externes.
- Dégâts causés par accident, altération, mauvaise utilisation, abus, incendie, inondation, actes de Dieu, installation fautive ou utilisation du produit pas autorisée par Foster.
- Dégâts à composants externes sur lesquels l'utilisateur peut intervenir directement pendant l'utilisation et/ou entretien, et qui sont sujet à l'usure.
- Formation de rouille et taches sur l'innox dû à l'utilisation de détergents pas adaptés.
- Tout défaut fonctionnel indiqué par le client et pas vérifié pendant l'examen de la part du technicien. Dans ce cas, l'intervention en assistance sera entièrement à la charge de l'utilisateur.
- Tout composant endommagé pendant un transport pas effectué par un transporteur agréé par Foster.
- Installation ou entretien incorrect, alimentation électrique insuffisante ou trop élevée, anomalies du réseau de l'eau ou électrique, insuffisance des cheminées et mauvaise qualité du carburant.
- Inobservation de la notice d'utilisation Foster
- Réparation par personnel pas autorisé par Foster
- Cette garantie est applicable aux appareils électroménagers utilisés dans une situation résidentielle ; elle ne couvre pas l'utilisation dans une situation commerciale, qui n'est pas autorisée pour ce produit.
- Coûts de voyage et autres coûts y connectés, soutenus quand le produit est installé dans une zone à accès difficile (par exemple régions géographiquement isolées qui se trouvent à plus de 50 miles du revendeur Foster le plus proche).
- Aussi non-inclus sont les visites pour :
 - a) Informer et instruire le client sur l'utilisation et entretien du produit.
 - b) Corriger l'installation du produit. Le client doit fournir la connexion électrique et/ou gaz et autre branchements nécessaires.
 - c) Remettre en fonction de disjoncteurs ou remplacer les fusibles.

Si le propriétaire original vend l'appareil pendant la période de garantie, le nouveau propriétaire continue à être protégé par la garantie jusqu'à la date d'échéance de la garantie originale.

Pendant la période de garantie, FOSTER remplacera, ou réparera gratuitement, tous composants qui sont défectueux à l'origine, sans modifier la date d'échéance de la garantie obtenue au moment de l'achat. La réparation est gratuite à condition qu'elle soit effectuée par un centre d'assistance technique agréé par FOSTER.

Si l'appareil est réparé auprès d'un centre d'assistance technique agréé par le fabricant et en cas de remplacement du produit, le transport sera gratuit. Dans le cas où le client refuse la réparation sur place, le transport jusqu'à et à partir du centre d'assistance technique ne sera pas payé ou organisé par FOSTER.

À la date d'échéance, la garantie perd de validité et toute assistance successive sera effectuée en débitant le coût des parts, main d'œuvre et transport, selon les tarifs en vigueur.

Un technicien autorisé sera envoyé par FOSTER dans les meilleurs délais, avec le but d'offrir le meilleur service possible.

FOSTER n'est pas responsable pour tout éventuel dégât, direct ou indirect, causé à personnes, objets et animaux domestiques à cause de l'inobservance des instructions contenues dans la notice d'utilisation, et pour tout dégât causé par la suspension forcée de l'utilisation du même. FOSTER n'est pas responsable pour tout éventuel dégât causé par réparations effectuées par personnel pas qualifié et/ou formé par le fabricant.

Cette garantie s'applique aux appareils utilisés dans une situation domestique ; elle ne couvre pas toute éventuelle utilisation dans de situations commerciales ou professionnelles.

Cette garantie s'applique aux appareils achetés et utilisés dans les 50 états des Etats Unis d'Amérique, le District of Columbia et les provinces suivantes du Canada : Québec, Ontario, Alberta et British Columbia.

FOSTER DECLINE TOUTE RESPONSABILITE' POUR TOUT DEGAT ACCIDENTEL OU CONSEQUENT.

Quelques états ne permettent pas l'exclusion ou limitation des dégâts accidentels ou consécutifs ; par conséquence cette limitation pourrait être inapplicable dans votre cas. Cette garantie vous donne des droits légaux spécifiques et vous pourriez aussi avoir d'autres droits qui peuvent varier d'un état à l'autre ou d'une province à l'autre.

Service après-vente Foster
7575 E Redfield Rd #129, Scottsdale, AZ 85260
Telephone (888) 639-6001
E-mail: foster@adcoservice.com
Fax: (480)998-7877