



Gas Hob

## Foster Milano

Gas Hob 108 cm - Four burners - Q4 Edge - for standard built-in installation

Code: 7650 000

## Product Details

|                        |   |
|------------------------|---|
| Materials/finishes     | Foster-brushed finish AISI 304 stainless steel                    |
| Edge/installation type | Q4 Edge - for standard built-in installation                      |
| Cooking elements       | Four burners  |
| Grids                  | Cast iron grids and enamelled burner covers                       |
| Ignition               | Under-knob electric ignition                                      |
| Safety                 | Safety valves with ultra-rapid thermocouples                      |
| Dimension              | 1080x490 mm   |
| Cut out                | 1060x470 mm   |
| Total power            | 9.950 W   |
| - Rapid                | 3.000 W   |
| - Semirapid            | 1.750 W   |
| - Dual                 | 4.200 W   |
| - Auxiliary            | 1.000 W   |
| Gas type               | Tested for installation with natural gas, LPG nozzle set included |
| Power Supply           | 220-240 V; 50.60 Hz   |
| Equipment              | 1 x <i>Cast iron wok support 9601 668</i>                         |

## Features



Special burners



Aeo burners



Cast iron grids



56 cm deep



XXl grids

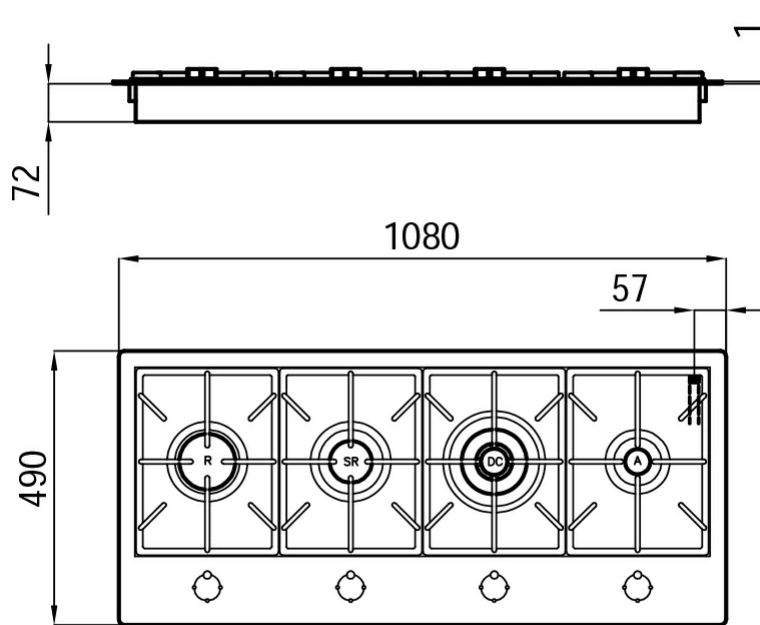


Under-knob ignition



Safe cooking

## Dimensions



05-08-2019 16:59:56