

Gas Hob

Foster Milano

Gas Hob 115 cm - Six burners - Q4 Edge - for standard built-in installation

Code: 7649 000

Product Details

Materials/finishes	Foster-brushed finish AISI 304 stainless steel
Edge/installation type	Q4 Edge - for standard built-in installation
Cooking elements	Six burners
Grids	Cast iron grids and enamelled burner covers
Ignition	Under-knob electric ignition
Safety	Safety valves with ultra-rapid thermocouples
Dimension	1154x560 mm
Cut out	1134x540 mm
Total power	15.900 W
- Rapid	3.000 W
- Semirapid	2x1.750 W
- Dual	2x4.200 W
- Auxiliary	1.000 W
Gas type	Tested for installation with natural gas, LPG nozzle set included
Power Supply	220-240 V; 50.60 Hz
Equipment	2 x <i>Cast iron wok support 9601 668</i>

Features



56 cm deep



Xxl grids



Aeo burners



Special burners



Under-knob ignition

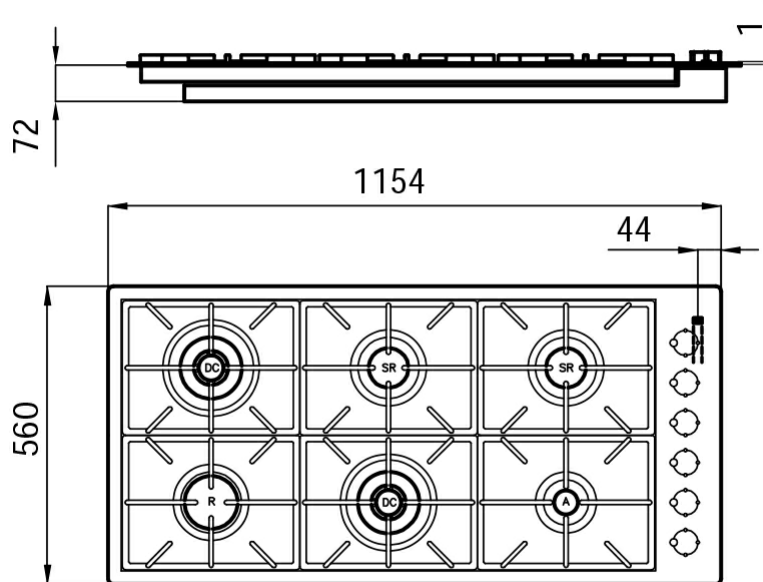


Cast iron grids



Safe cooking

Dimensions



05-08-2019 16:59:59