



Gas Hob

## Foster Milano

Gas Hob 120 cm - Five burners - FILOTOP Edge  
- for flush-mount (FT) or over-mount (FTS)  
installation

Code: 7638 000

## Product Details

Materials/finishes	Microfoster finish AISI 304 stainless steel
Edge/installation type	FILOTOP Edge - for flush-mount (FT) or over-mount (FTS) installation
Cooking elements	Five burners
Grids	Cast iron grids and enamelled burner covers
Ignition	Under-knob electric ignition
Safety	Safety valves with ultra-rapid thermocouples
Dimension	1056x560 mm
Cut out	Vedi scheda tecnica
Total power	10.950 W
- Rapid	3.000 W
- Semirapid	1.750 W
- Dual	4.200 W
- Auxiliary	2x1.000 W
Gas type	Tested for installation with natural gas, LPG nozzle set included
Power Supply	220-240 V; 50.60 Hz
Equipment	1 x <i>Cast iron wok support 9601 668</i>

## Features



Cast iron grids



Special burners



56 cm deep



Aeo burners

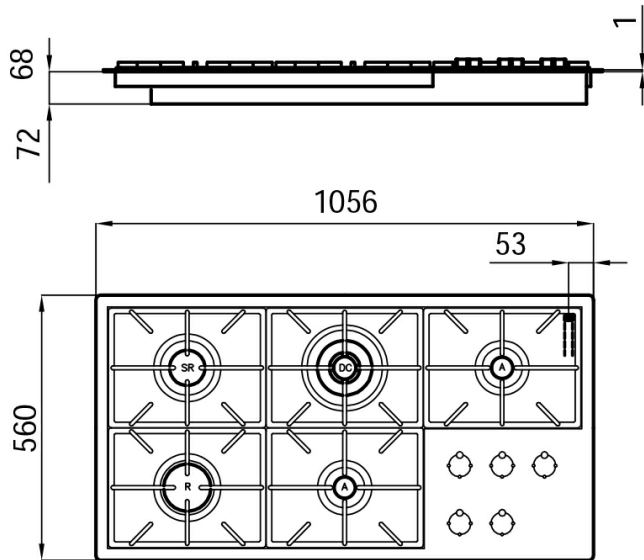


Under-knob ignition

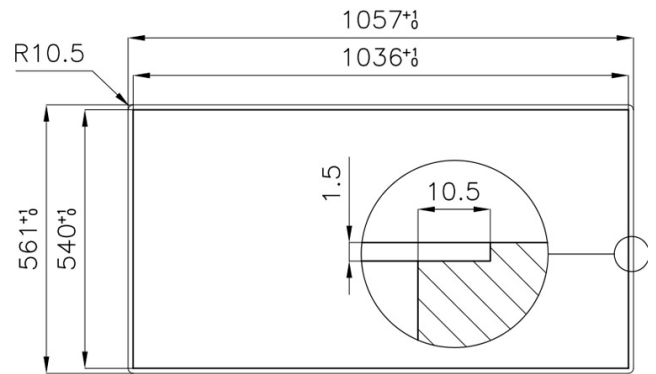


XXL grids

### Dimensions



### Cut out drawing



06-08-2019 04:38:57