

Gas Hob

Foster Milano

Gas Hob 115 cm - Five burners - FILOTOP Edge
- for flush-mount (FT) or over-mount (FTS)
installation

Code: 7636 000

Product Details

Materials/finishes	Foster-brushed finish AISI 304 stainless steel
Edge/installation type	FILOTOP Edge - for flush-mount (FT) or over-mount (FTS) installation
Cooking elements	Five burners
Grids	Cast iron grids and enameled burner covers
Ignition	Under-knob electric ignition
Safety	Safety valves with ultra-rapid thermocouples
Dimension	1154x560 mm
Cut out	Vedi scheda tecnica
Total power	11.700 W
- Rapid	3.000 W
- Semirapid	2x1.750 W
- Dual	4.200 W
- Auxiliary	1.000 W
Gas type	Tested for installation with natural gas, LPG nozzle set included
Power Supply	220-240 V; 50.60 Hz
Equipment	1 x <i>Cast iron wok support 9601 668</i>

Features

Gas hobs



Cast iron grids



Special burners



56 cm deep



Aeo burners

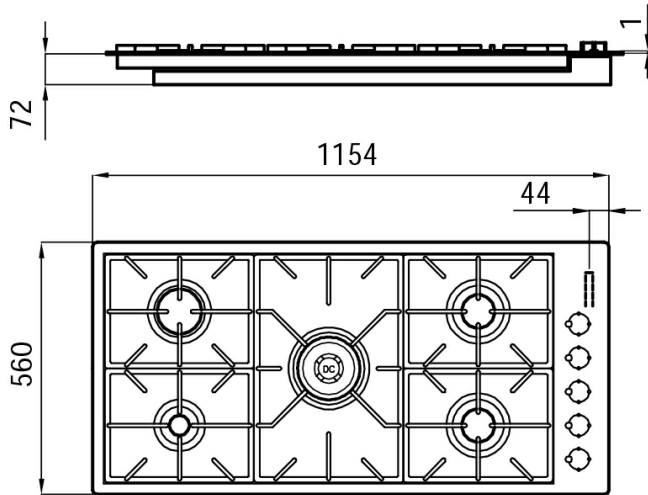


Under-knob ignition

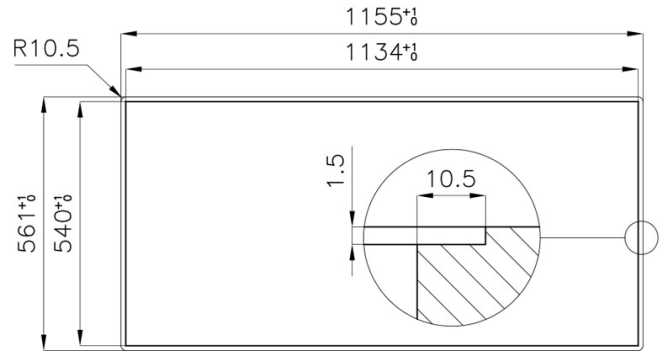


XXL grids

Dimensions



Cut out drawing



05-08-2019 16:58:10