



Sink

Marine

Sink - 2 bowls - Flat Edge - for standard built-in installation (SF)

Code: 1977 961 DX (Vasca a destra)

Code: 1977 962 SX (Vasca a sinistra)

Product Details

Materials/Finishes	Foster-brushed finish AISI 316 stainless steel
Cabinet	60-80 cm
Dimensions	983x513 mm
Edge/Installation Type	Flat Edge - for standard built-in installation (SF)
Cut out	950x480 mm
Number of bowls	2 bowls
Bowl dimension	362,5x400 + 150x300 mm
Waste fitting	3,5" waste
Mixer holes	One standard hole - 2nd and 3rd holes on request
Standard fittings	fixing brackets, gasket, waste fitting, overflow and siphon. Packing: single carton box.

Features

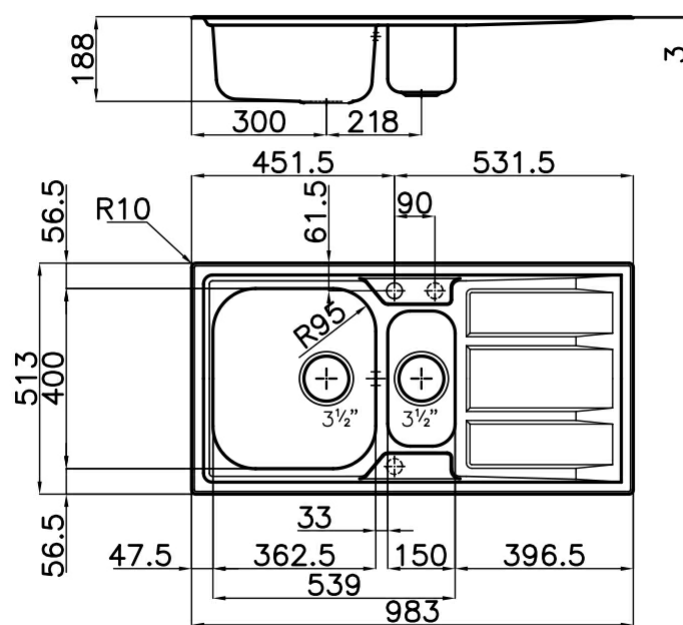


Basket 3,5" waste fitting



2nd / 3rd hole available

Dimensions



Optional accessories



glass chopping board
8631 300



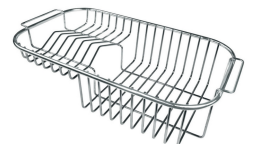
hdpe chopping board
8657 001



white colander 8151 100



stainless steel basket
8611 000



stainless steel plate rack
8100 301

Optional automatic waste fittings



automatic waste fitting 8407 000



automatic waste fitting 8407 100



lira automatic waste fitting 8407
102



lira automatic waste fitting 8407
103

13-08-2019 13:10:46