



Ovens And Coordinate Product

FL

Steam oven 60x46 cm - 2 - 35 Lt

Code: 7103 680

Product Details

Oven type	Steam oven
Dimensions	60x46 cm
Volume	35 Lt
Door finishing	White glass
Number of cooking programs	2
Command Type	Touch Control
Programming	Self Cooking electronic programming
Number of door glasses	Two-glazed door
Type of cooling	Tangential Fan
Safety	Door lock
Power Supply	220-240V 50-60Hz
Contentitore acqua	1,2 Litri
Tipologia funzionamento	Boiler esterno - immissione controllata vapore in camera di cottura 40-100 °C

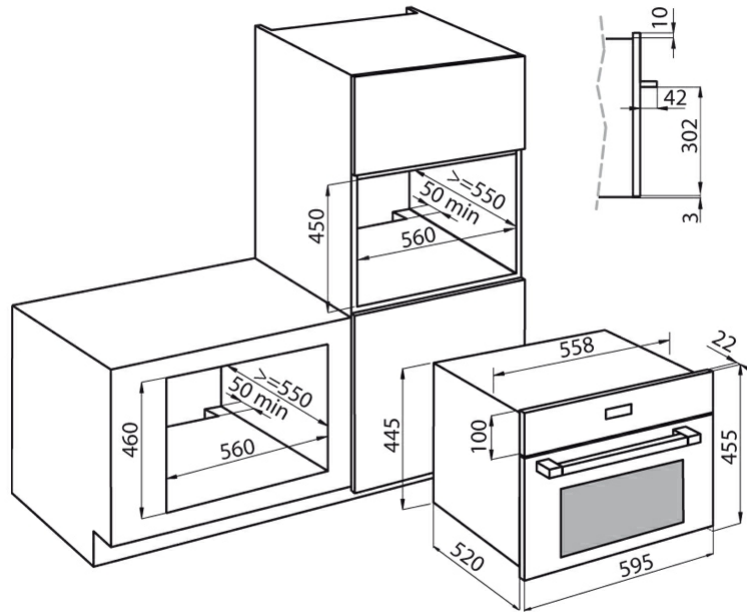
cooking programs

Thawing



Steam cooking

Dimensions



06-08-2019 01:27:02