



Ovens And Coordinate Product

FL

Blast chiller 60x46 cm - 11 - 40 Lt

Code: 2980 600

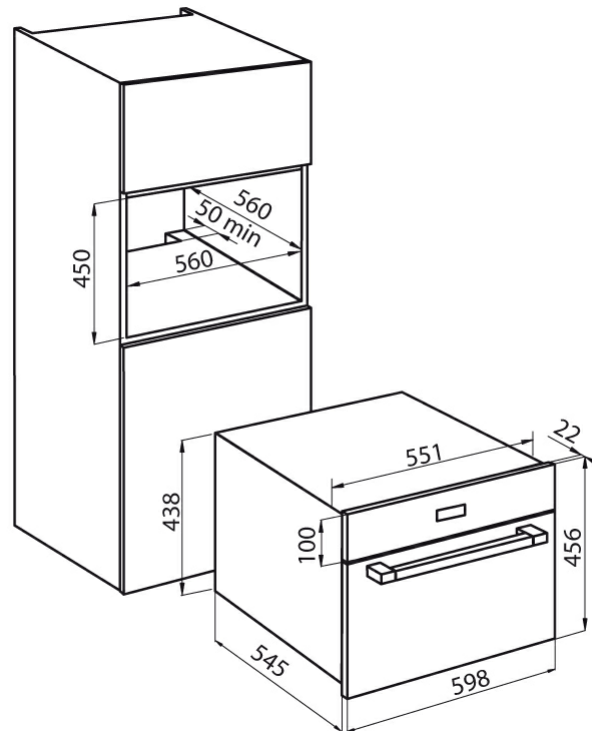
Product Details

Oven type	Blast chiller
Dimensions	60x46 cm
Volume	40 Lt
Door finishing	Black Mirror glass
Number of cooking programs	11
Command Type	Touch Control
Programming	Self Cooking electronic programming
Cooking chamber finish	Stainless Steel
Power Supply	220-240V - 50Hz
Sicurezza	Sensori di protezione dai sovraccarichi di temperatura
Temperature d'esercizio	+75 °C / -30 °C
Potenza max	300 W

cooking programs

Temperature dropping to +3°c	Deep-freezing at -18°c	Rapid pre-chilling	After cooking fast chilling	Quick chilling of beverages	0 °c conservation
-30°c raw food sanitization	Controlled defrosting	Food regeneration	Controlled rising	Low-temperature cooking	

Dimensions



06-08-2019 09:27:36