



Sink

FL

Sink - 1 bowl - Standard Edge (STD) - for standard built in installation

Code: 2975 060

Product Details

Materials/Finishes	Foster-brushed finish AISI 304 stainless steel
Cabinet	80 cm
Dimensions	860x500 mm
Edge/Installation Type	Standard Edge (STD) - for standard built in installation
Cut out	840x480 mm
Number of bowls	1 bowl
Bowl dimension	720x320 mm
Waste fitting	3,5" SPACE waste
Mixer holes	One standard tap hole
Standard fittings	fixing brackets, gasket, waste fitting, overflow and siphon. Packing: single carton box.

Features



High thickness



Deep bowls



Space waste fitting



Small radius

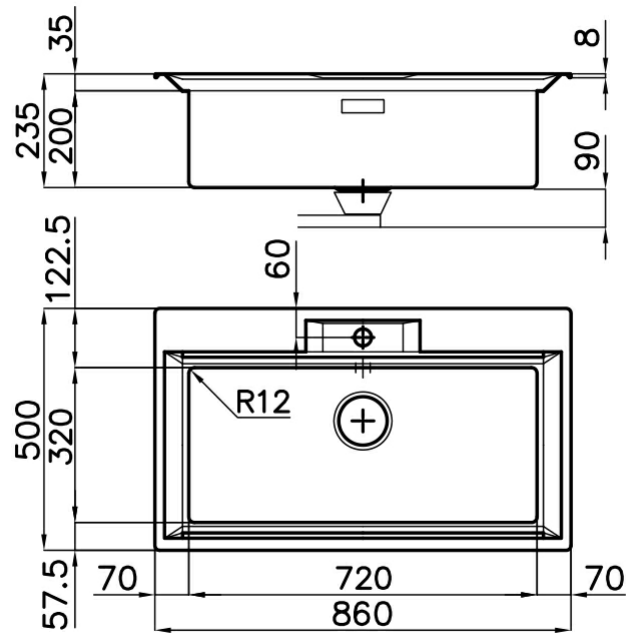


Perimetral overflow



Save space system

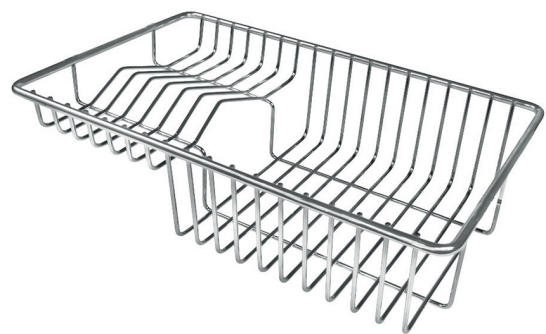
Dimensions



Optional accessories



iroko-wood sliding chopping board 8659 113



stainless steel plate rack 8100 304

06-08-2019 15:24:29