



Freestanding

Freestanding cooking centre in Stainless steel -
1200 - 4 burners in line+ MF 90 cm oven

Code: 7154 000

Product Details

Freestanding cooking centre in AISI 304 brushed stainless steel

Dimensions: 1200 x 650 x h 910 cm

With rear bench equipped with 2 stainless steel trays and two bottle holders; Drawer with damped closure;
Rear backsrest 20 mm; Retractable adjustable feet

Gas rangetop with four in-line burners

Brushed stainless steel knobs on ergonomic inclined front bench.

Cast iron grids and enamelled burner covers; Electric ignition; Safety valves with ultra-rapid thermocouples.

Total Power 9,950 W

Auxiliary: 1,000 W; Semirapid: 1,750 W; Fast: 3.000 W; Dual: 4,200 W

Multifunctional oven 90x47 cm

Volume 73 liters; 9 cooking functions

Rotisserie function, Electronic programming of start and end of cooking

Cooling system with tangential ventilation,

Telescopic guides; Door: 3 glasses;

StopSol Crystal; Easy Clean enamelling;

Independent oven light

Energy class: A

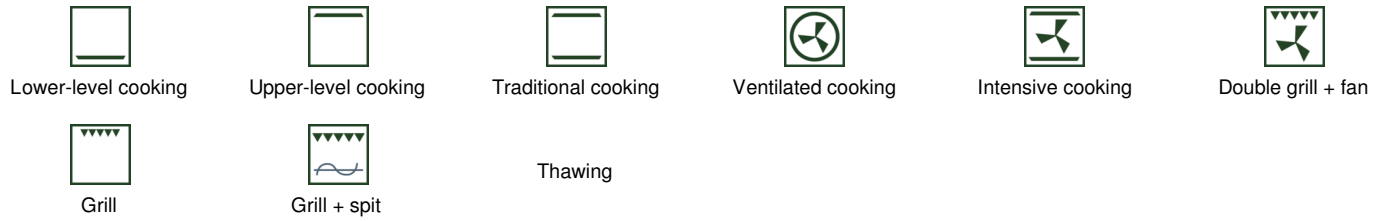
Power supply: 220-240 V 50 Hz

Standard equipment:

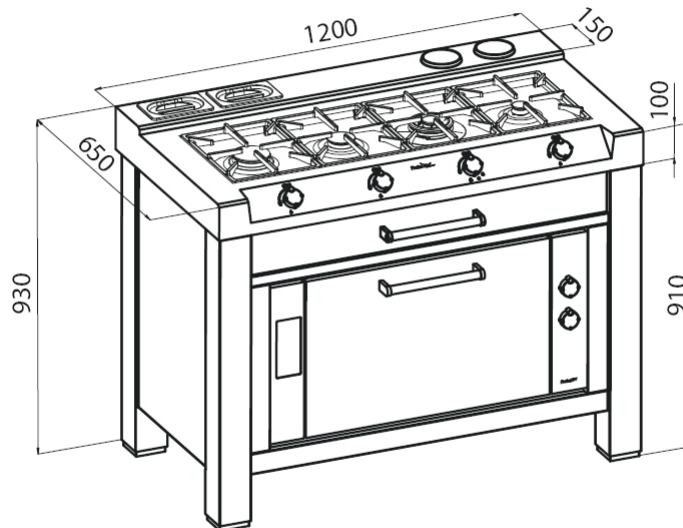
Hob: Cast iron wok support;

Oven: Stainless steel grill; EasyClean enamelled tray; Turnspit; Self-cleaning catalytic backplate.

cooking programs



Dimensions



Optional accessories



portaposate 8620 000

06-08-2019 02:00:45