

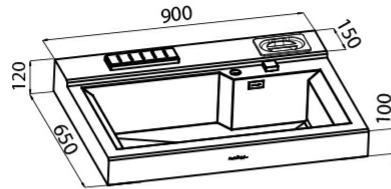


Range Top e top inox
Range Top e top inox
Code: 3163 000

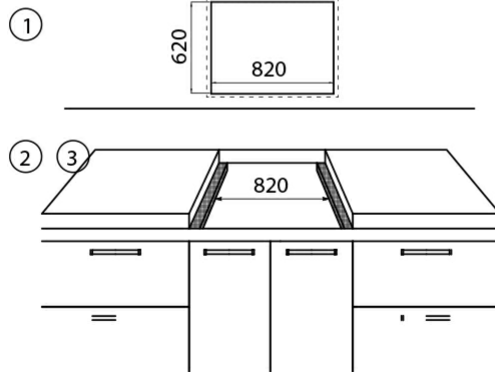
Product Details

Materials/finishes	Foster-brushed finish AISI 304 stainless steel
Dimensions	900x650 mm
Bowl dimension	730x400 mm
Waste fitting	automatic waste SPACE- PA
Mixer holes	Two standard holes
Standard fittings	fixing brackets, gasket, waste fitting, overflow and siphon. Packing: single carton box.
Knives holder equipments	Portacoltelli, Vaschetta Inox

Dimensions



Incasso



05-08-2019 17:03:04