

## FOSTER

### INSTALLATION INSTRUCTIONS FOR REMOTE MOTOR (Kit 9700459)

This kit allows the installation of 2451-000 AND 2451-120 cooker hoods with remote motor, by using the motor, which is supplied along with the product. It is possible to have the air out-let positioned on the front, rear, side or the lower part of the appliance.

Please check the kit contents:

No. 2 150-diameter pipe fitting flanges

No. 8 screws and 8 fixing nuts

No.1 7-meter extension for motor connection

No. 1 plastic transition piece from rectangular to round.

No. 1 side/lower pipe fitting for pipe connection

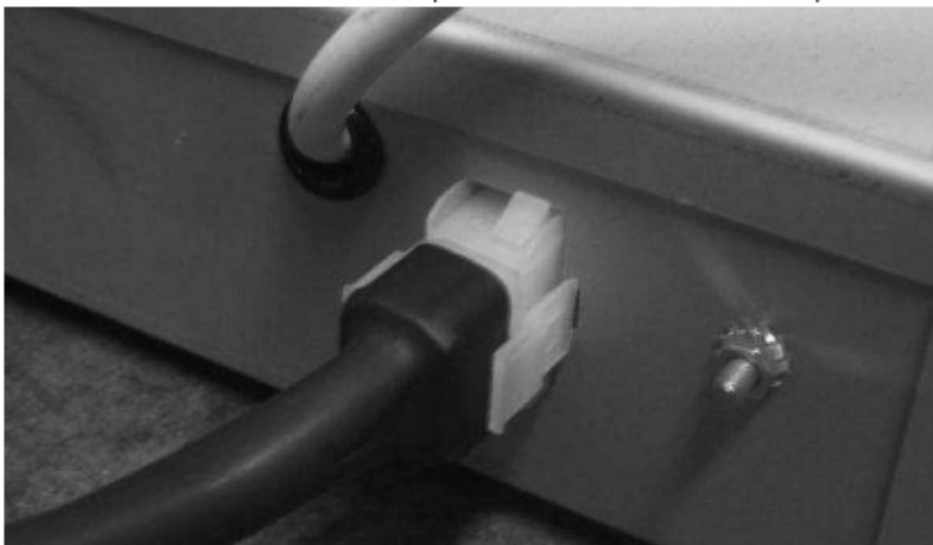
No. 1 galvanized iron front plate

No. 1 2-meter air exhausting pipe (**OPTIONAL CODE 9700603**)

For the installation, please follow the instructions below:

#### **BEFORE STARTING ANY INSTALLATION OPERATION IN ALL EXHAUSTING CASES:**

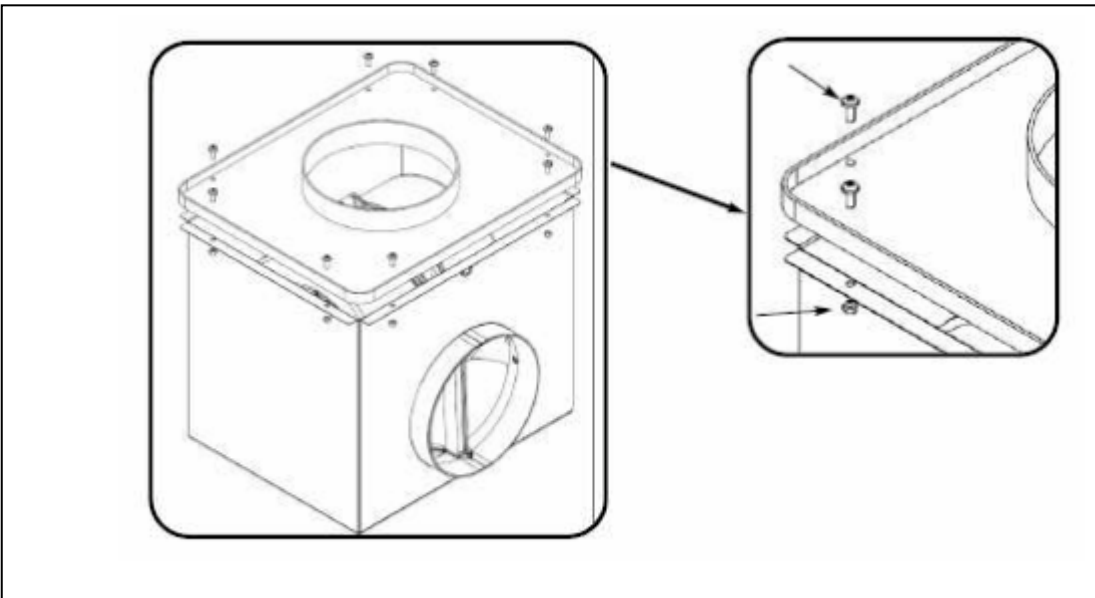
- 1- Disconnect the motor 6-pole connector from the electric system box.**



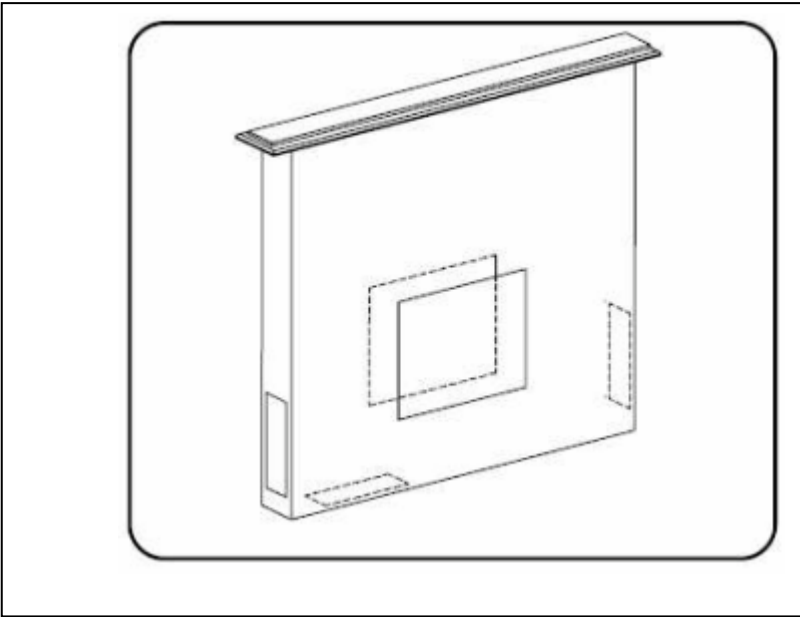
**2- Unscrew the 8 screws that fasten the motor to the cooker hood**



**3- Place one of the two 150-diameter pipe fitting flanges on the open side of the motor, using the 8 screws and the 8 fixing nuts supplied with the appliance.**

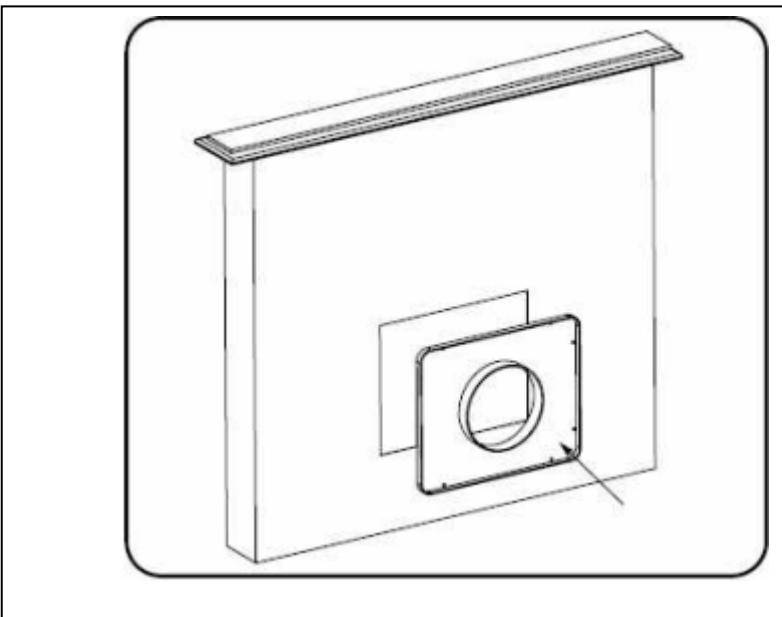


4- Choose the air outlet side (front, rear, side or lower part.)



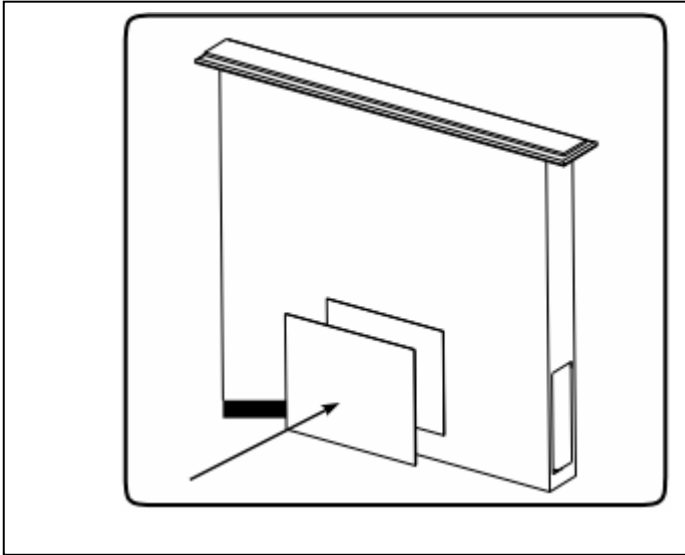
### FRONT EXHAUSTING

5- If the air out-let is in the front side, it is necessary to place the other 150 diameter pipe fitting flange in the place of the previously removed motor, using the same screws previously used to fix the motor.

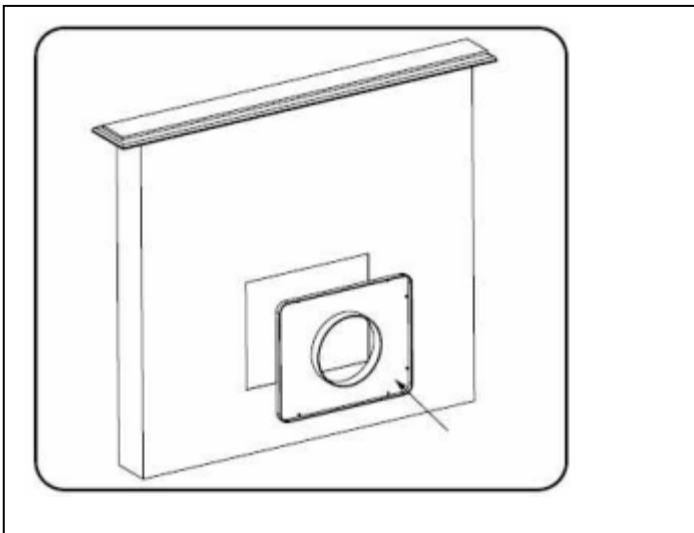


## REAR EXHAUSTING

- 6- If exhausting is in the rear side, it is necessary to close the body opening where the motor was previously housed, by placing the electrically galvanized iron plate supplied with the appliance, using the same screws previously used to fix the motor.

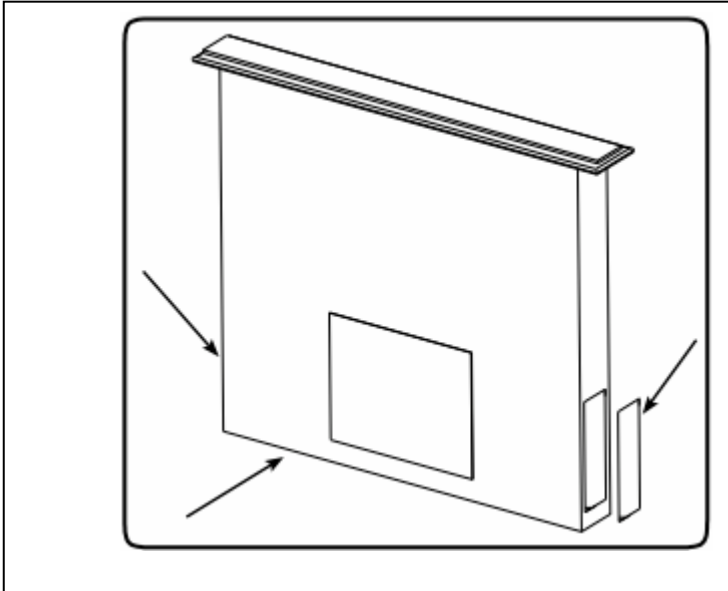


- 7- Remove the iron plate placed in rear side of the cooker hood. Then follow the same instructions followed for the front air out-let.

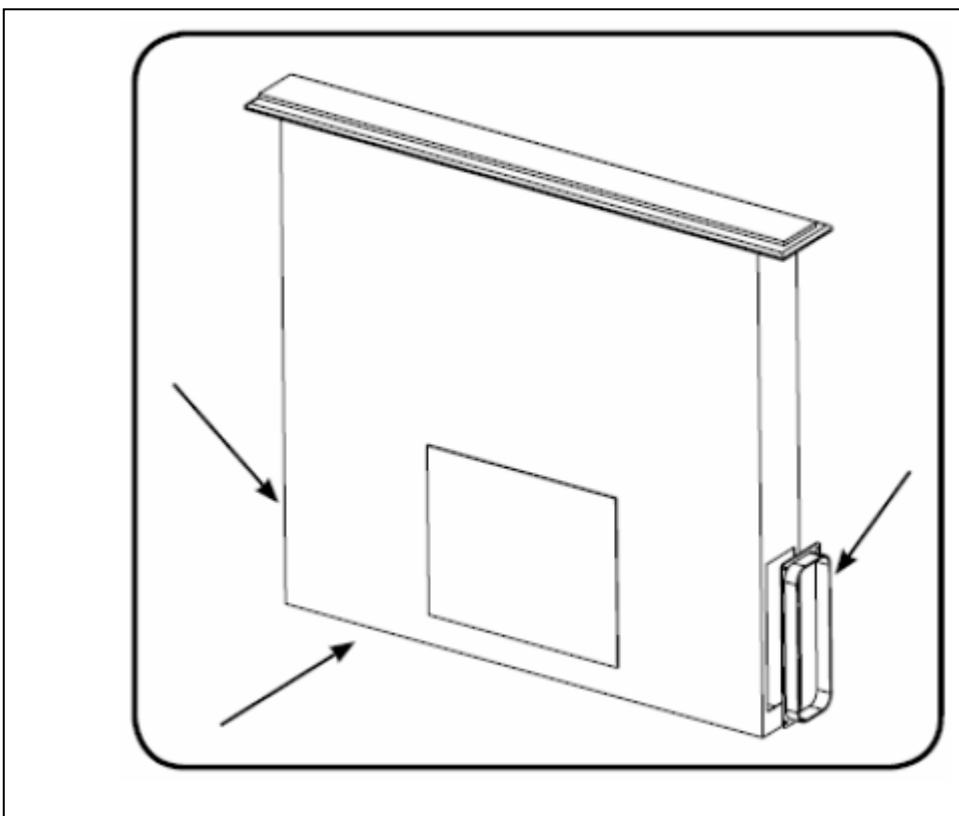


## SIDE OR LOWER EXHAUSTING

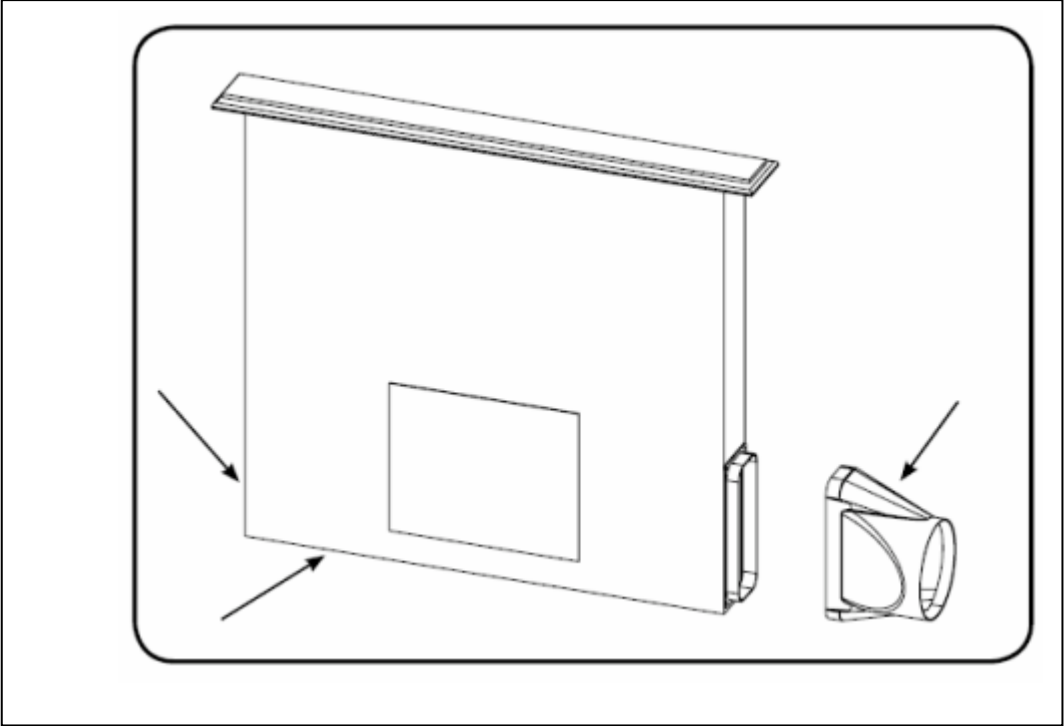
- 8- If exhausting is in the right or left side, or lower part of the appliance, it is necessary to remove the iron plate that closes the side or lower air out-let hole and close the body opening, where the motor was housed, with the electrically galvanized iron plate supplied with the appliance, by using the same screws previously used to fix the motor.



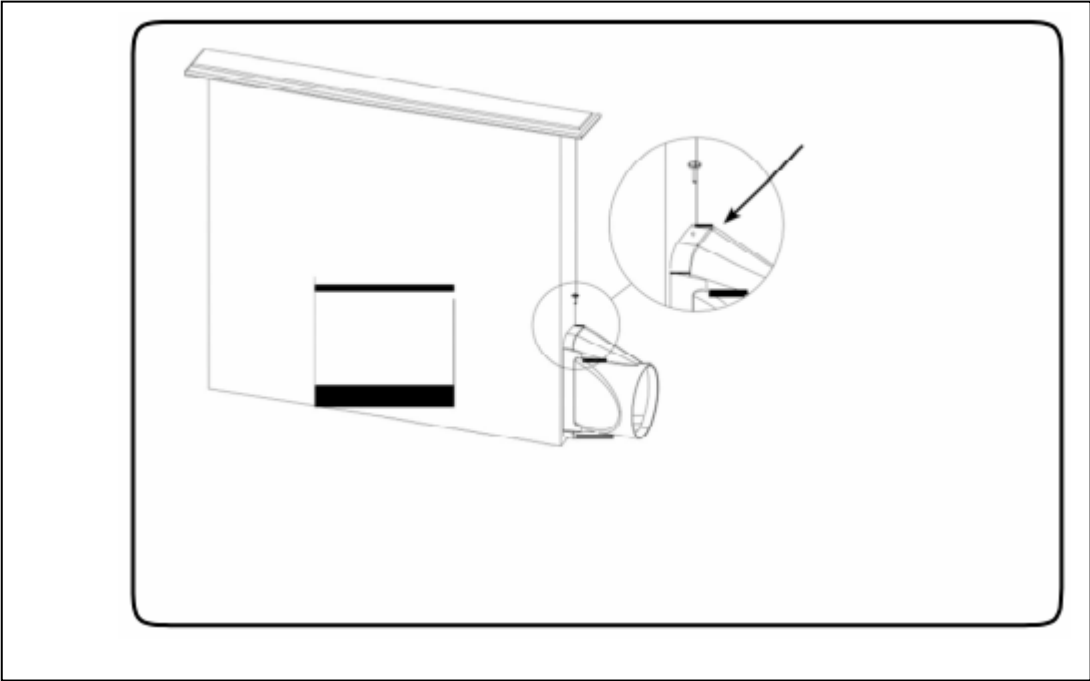
- 9- Place the rectangular plastic pipe fitting to install the pipe, using the same screws that previously fastened the side or lower panel, which has been previously removed.



10- Place the transition piece from rectangular to round.



11- Fix the transition piece using the screws supplied with the appliance.

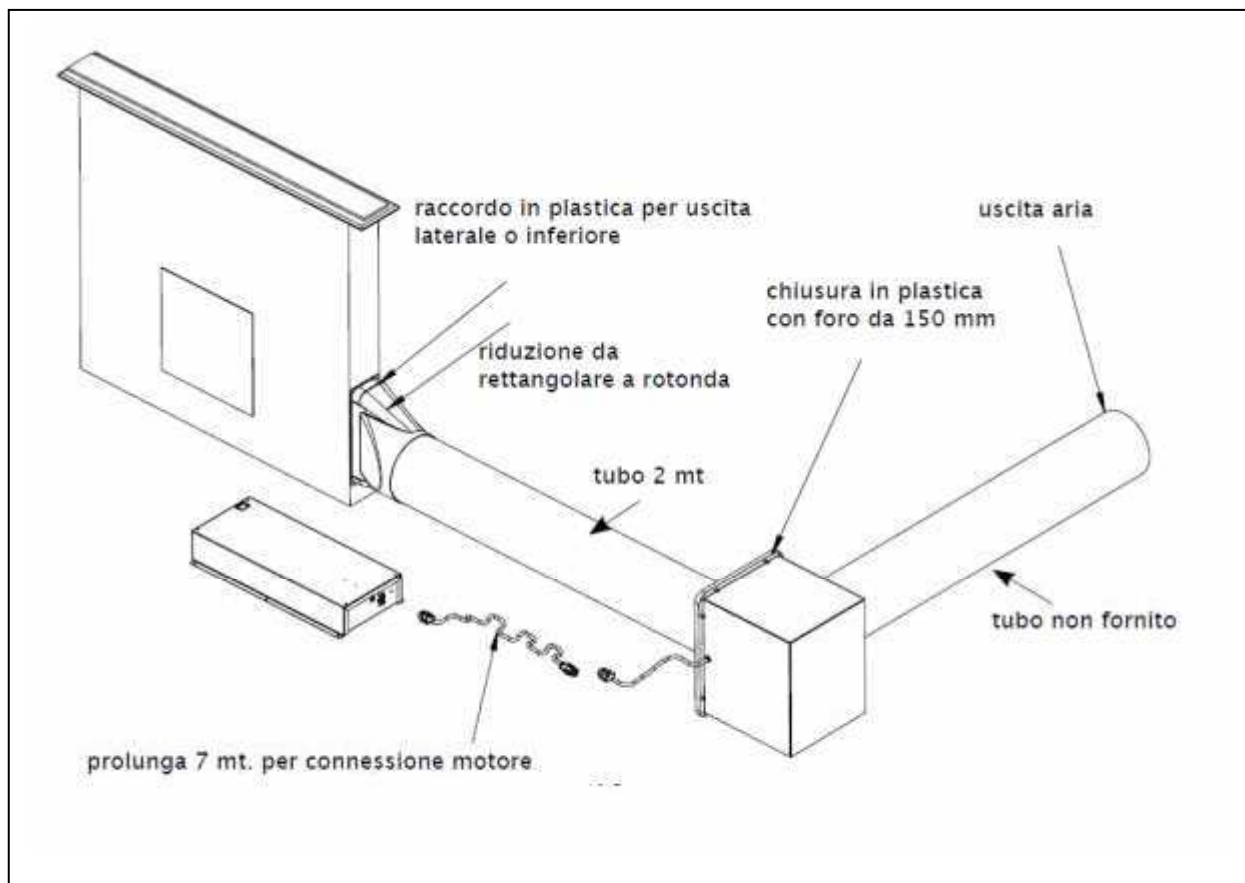


## IN ALL EXHAUSTING CASES

Place the motor in the desired position. Connect the motor to the cooker hood with 150 mm diameter pipe. Then, always using a 150 mm diameter pipe (not supplied with the appliance) connect the motor to the air out-let. The air out-let is usually located under the external side of the cabinet, in case of filtering mode installation, and to the outside of your house in case of suctioning mode installation.

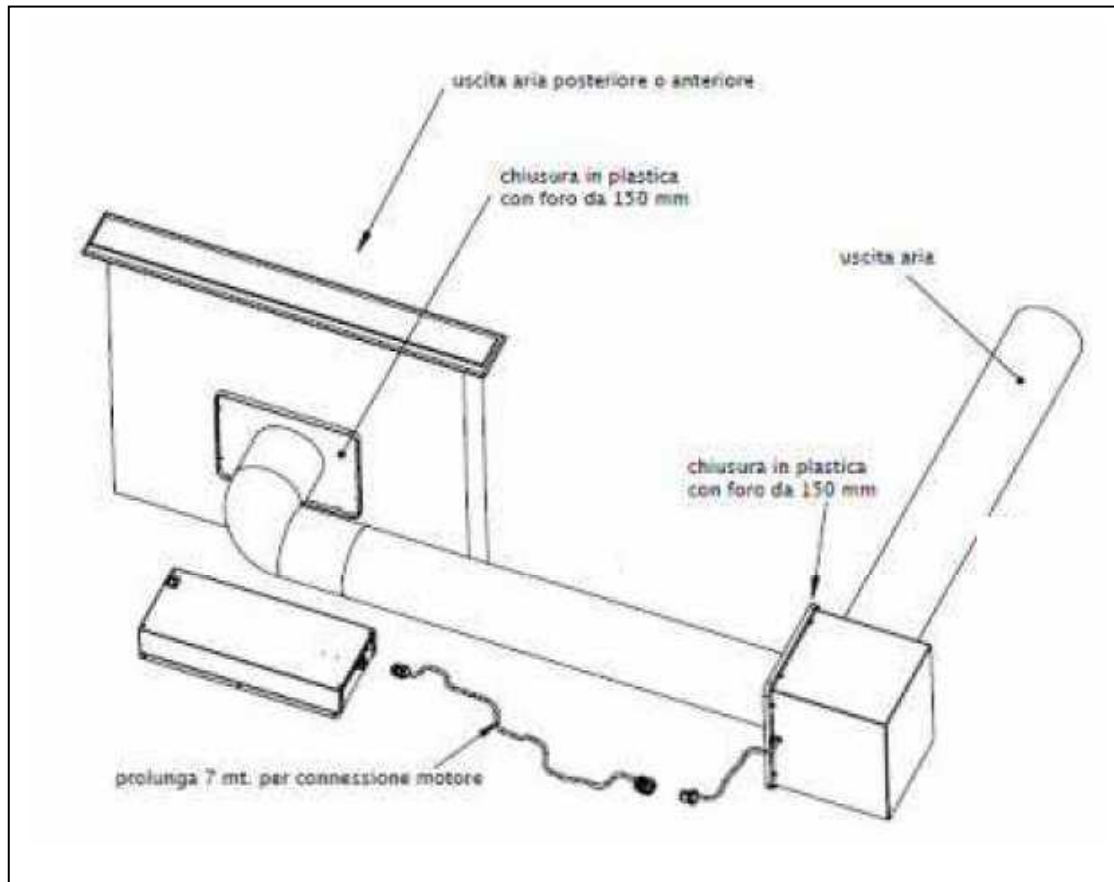
**NOTE:** A bigger distance and a certain number of elbows added to the pipe will reduce the cooker hood performance. The maximum length possible is 7 meters.

For the electric connection, please insert the 7 meter extension, supplied with the appliance, between the motor and the electric system box.



Calibrate the cooker hood accordingly to the instructions mentioned in the cooker hood manual.

## Example of a front exhausting



## Example of a side or lower exhausting

