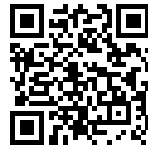
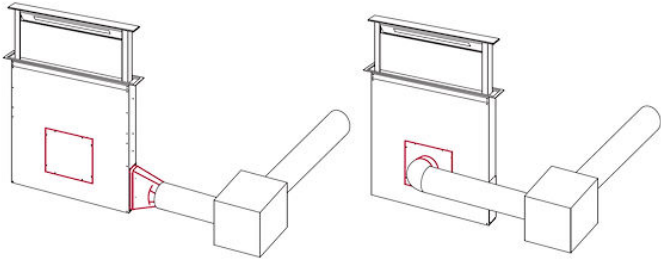


Remote engine installation kit

Accessories e Complements

Code: 9700 459



DETAILS

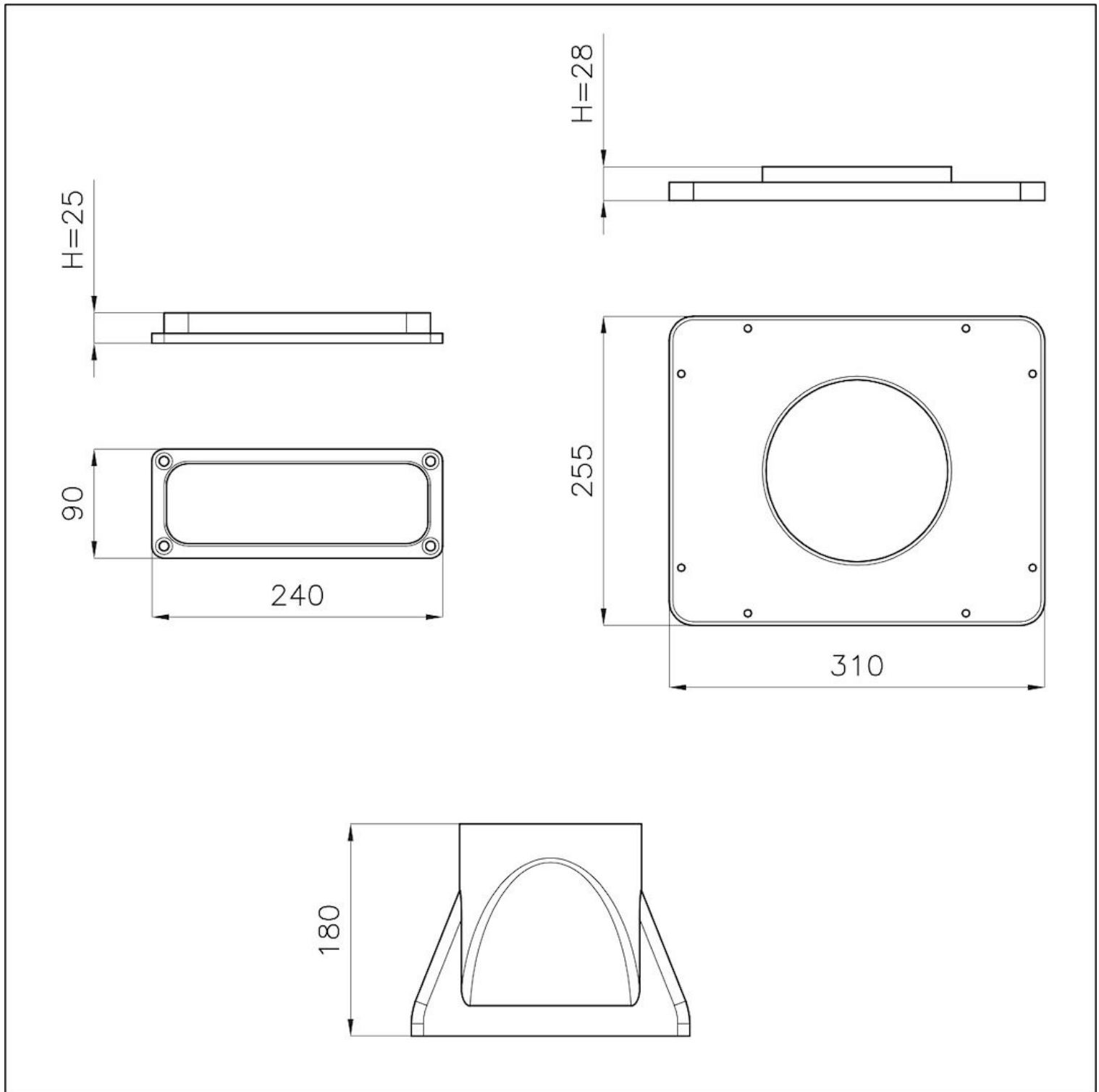
Type of accessory

Hoods accessories

Notes:

The parts in red in the drawing constitute an installation kit of the motor in remote mode, up to a distance of 5 meters.

TECHNICAL DATA



GALLERY

