

## Mixer Tap Omega Copper

Mixer Taps

Code: 8497 400



### DETAILS

Mixer type Single lever mixer tap with rotating barrel.

Coloring Copper

Finish PVD

Material Brass

Texture Chromed

Rotating angle 360°

Strengthening plate ø50 mm

Cartridge With ceramic discs

Mixer hole ø35 mm

Rear encumbrance 35mm

---

Max worktop thickness 40mm

---

## FEATURES

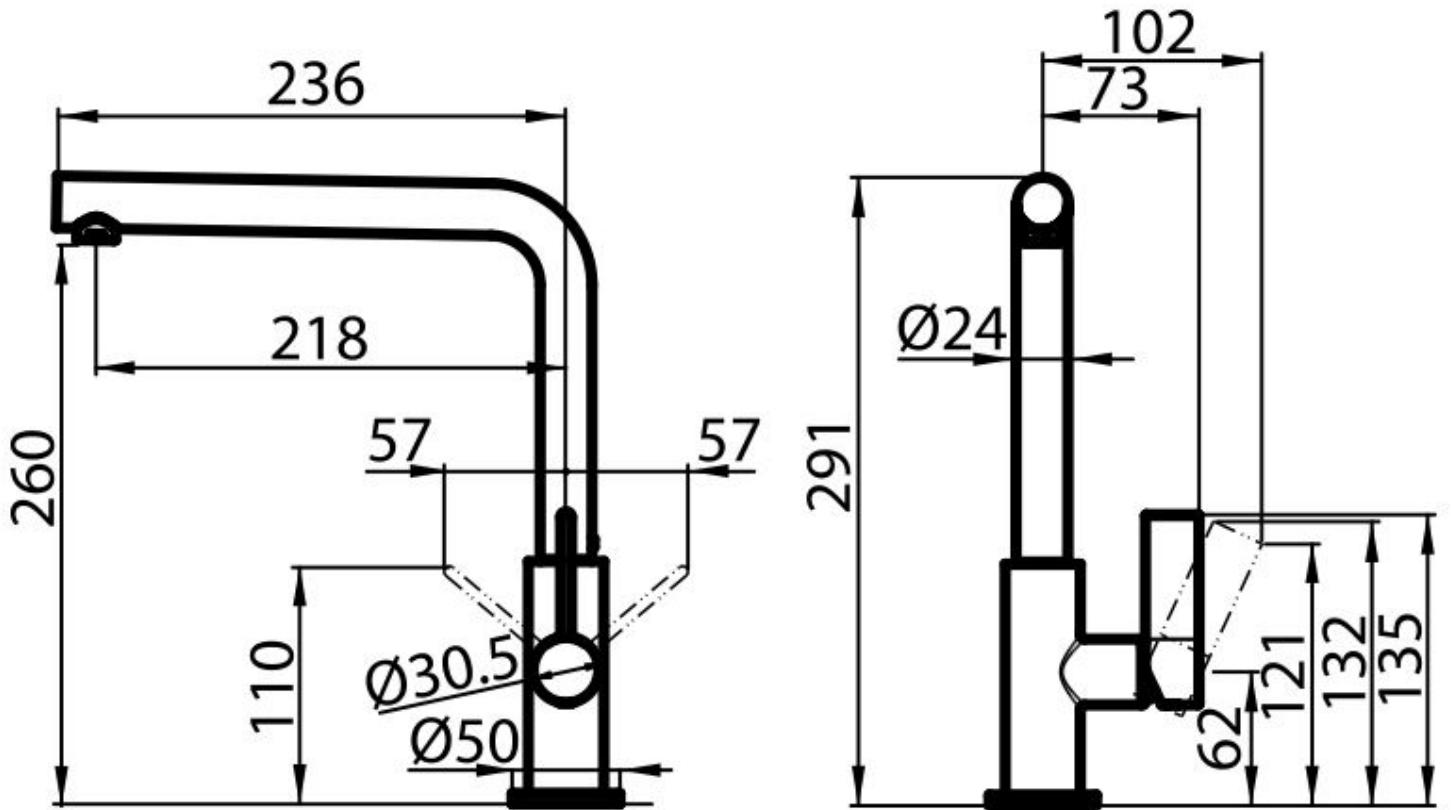
Rotating angle All the taps have a wide angle of rotation. Some models even permit a full 360° rotation.

---

Strengthening plate Foster's mixer taps are equipped with the strengthening plate that offers perfect stability on any sink.

---

## TECHNICAL DATA



## GALLERY

