

Mixer Tap Omega Gun Metal

Mixer Taps

Code: 8497 856



DETAILS

Mixer type Single lever mixer tap with rotating barrel.

Coloring Gun Metal

Finish PVD

Material Brass

Texture Chromed

Rotating angle 360°

Strengthening plate ø50mm

Cartridge With ceramic discs

Mixer hole ø35mm

Rear encumbrance 35mm

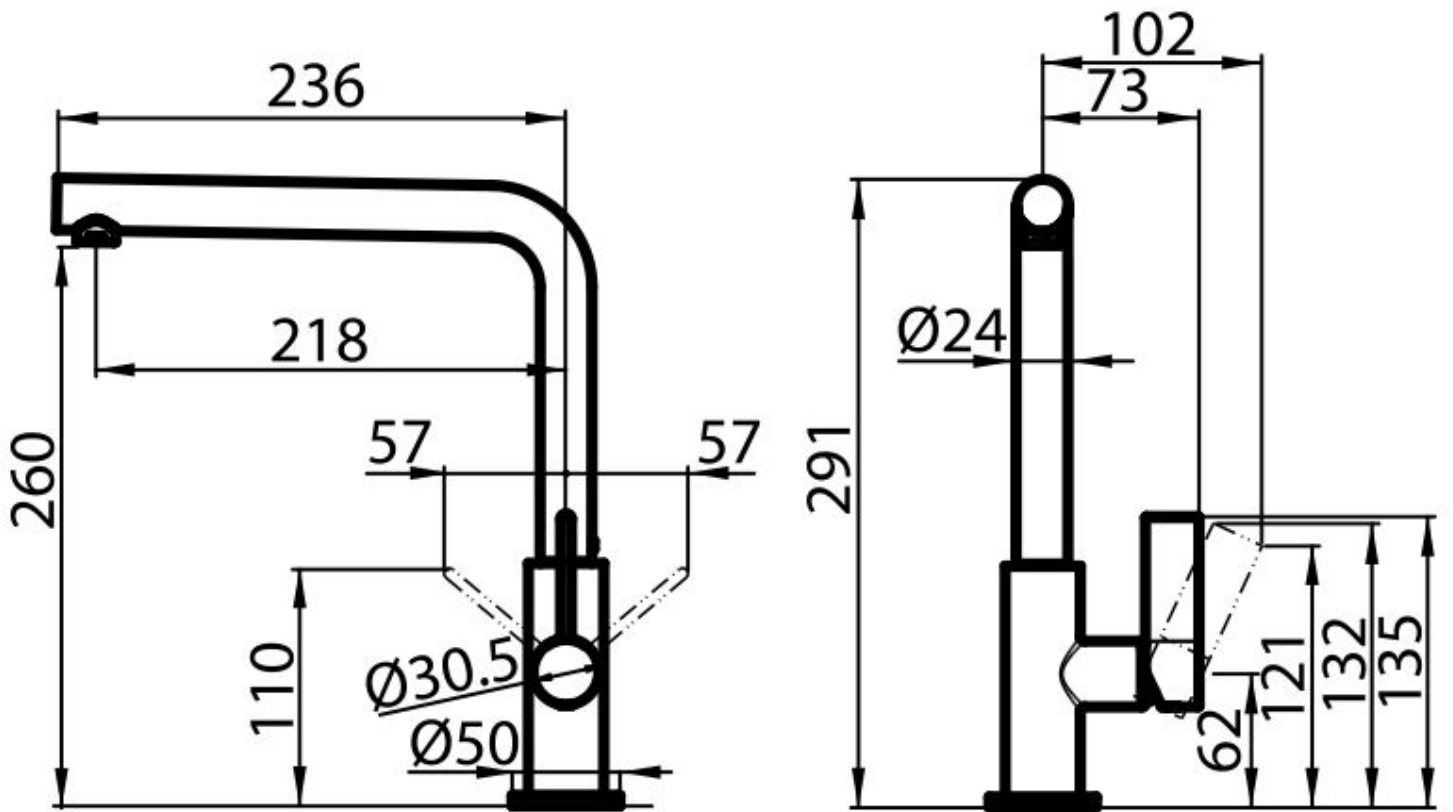
Max worktop thickness 40mm

FEATURES

Rotating angle All the taps have a wide angle of rotation. Some models even permit a full 360° rotation.

Strengthening plate Foster's mixer taps are equipped with the strengthening plate that offers perfect stability on any sink.

TECHNICAL DATA



GALLERY

