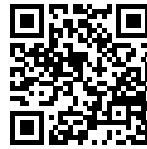


Mixer Tap Gamma 3 vie - satin

Mixer Taps

Code: 8496 100



DETAILS

Mixer type Three-way mixer tap with dual control and rotating barrel. Made in AISI 316 stainless steel.

Material Stainless steel AISI 316

Texture Satin

Rotating angle 360°

Strengthening plate ø50mm

Cartridge With ceramic discs

Mixer hole ø35mm

Max worktop thickness 50mm

FEATURES

Aisi 316 stainless steel

Made in AISI 316 stainless steel, which guarantee a perfect resistance to corrosion and maximum hygiene and safety, even for food use water.

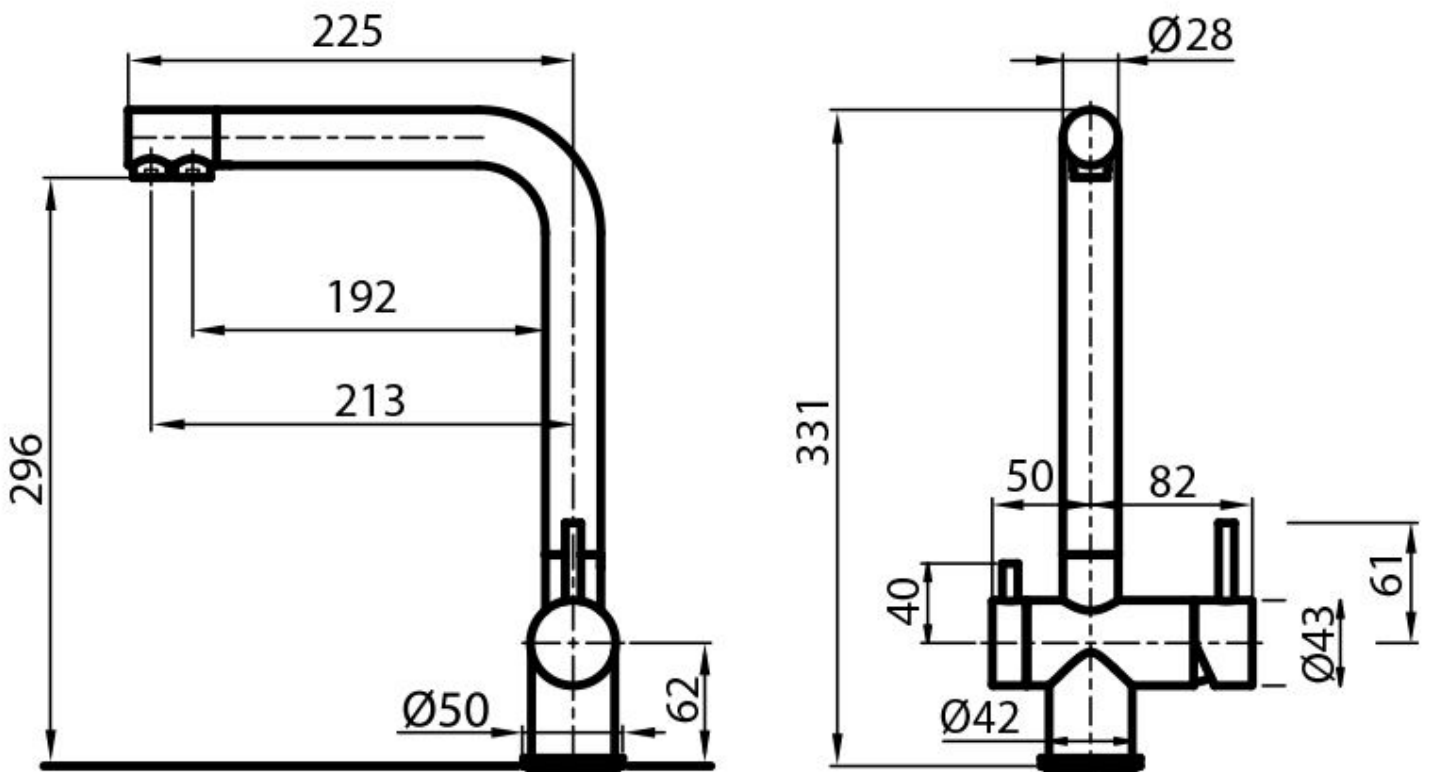
Rotating angle

All the taps have a wide angle of rotation. Some models even permit a full 360° rotation.

Strenghtening plate

Foster's mixer taps are equipped with the strenghtening plate that offers perfect stability on any sink.

TECHNICAL DATA



GALLERY

