

## Mixer Tap NYC

Mixer Taps

Code: 8486 000



### DETAILS

Mixer type Single lever mixer tap with rotating barrel.

---

Material Brass

---

Texture Chromed

---

Rotating angle 360°

---

Strengthening plate ø50 mm

---

Cartridge With ceramic discs

---

Mixer hole ø35 mm

---

Rear encumbrance 40mm

---

Max worktop thickness 40mm

---

## FEATURES

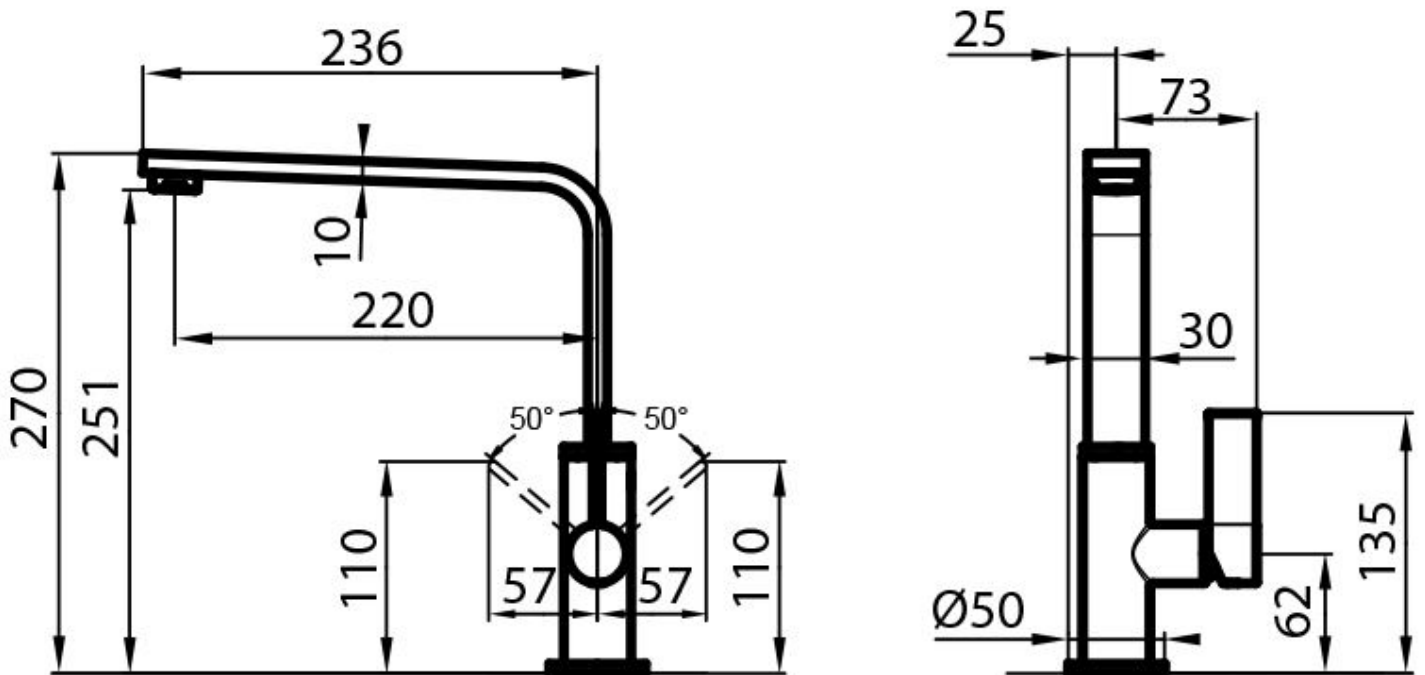
Rotating angle

All the taps have a wide angle of rotation. Some models even permit a full 360° rotation.

Strengthening plate

Foster's mixer taps are equipped with the strengthening plate that offers perfect stability on any sink.

## TECHNICAL DATA



## GALLERY

