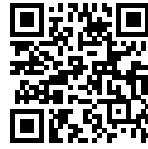


## Mixer Tap Hook satin

Mixer Taps

Code: 8479 100



### DETAILS

Mixer type Single lever mixer tap with rotating barrel. Made in AISI 316 stainless steel.

Material Stainless steel AISI 316

Texture Satin

Rotating angle 360°

Strengthening plate ø45mm

Cartridge With ceramic discs

Mixer hole ø35mm

Rear encumbrance 15mm

Max worktop thickness 40mm

## FEATURES

Aisi 316 stainless steel

Made in AISI 316 stainless steel, which guarantee a perfect resistance to corrosion and maximum hygiene and safety, even for food use water.

---

Rotating angle

All the taps have a wide angle of rotation. Some models even permit a full 360° rotation.

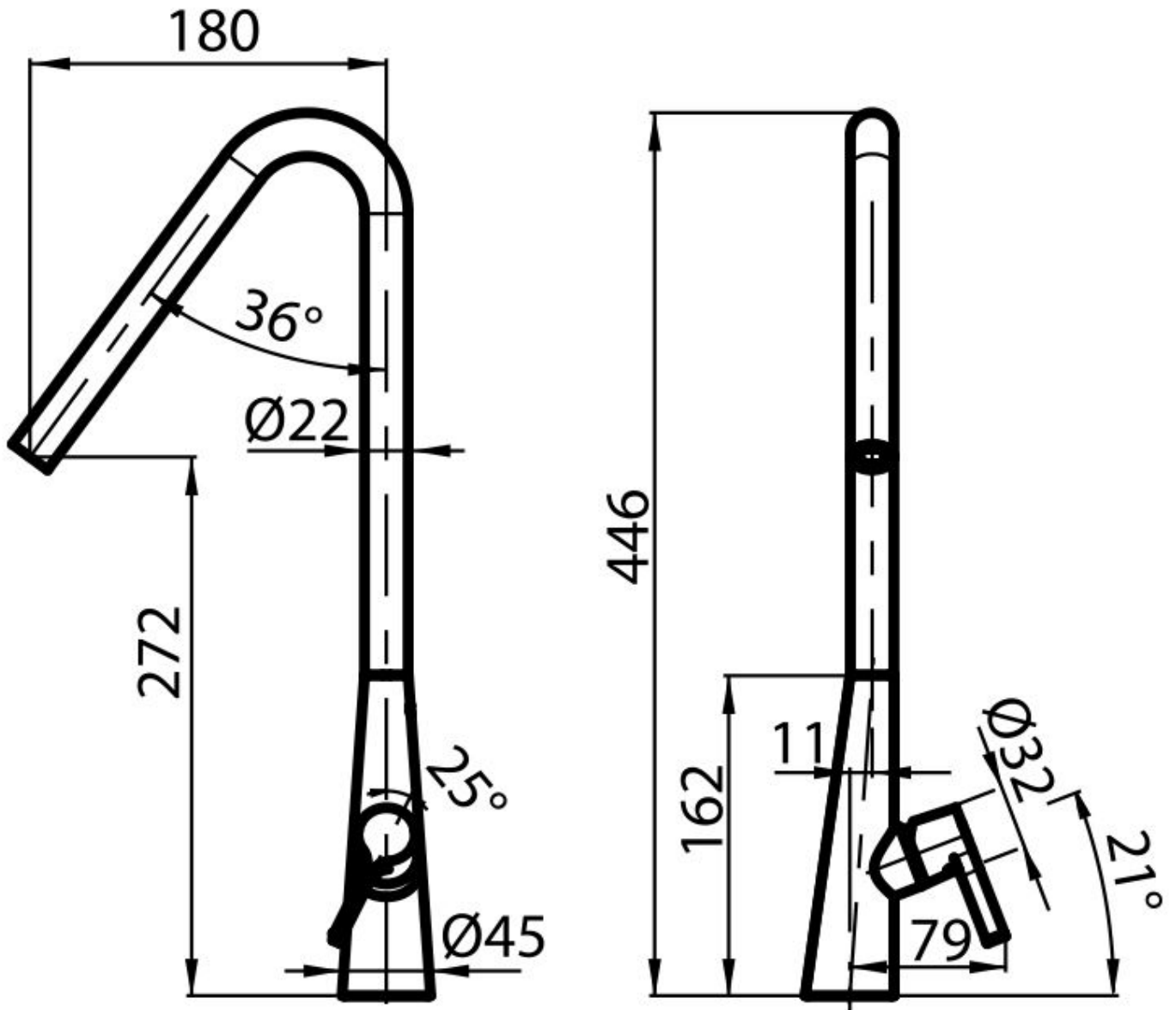
---

Strengthening plate

Foster's mixer taps are equipped with the strengthening plate that offers perfect stability on any sink.

---

## TECHNICAL DATA



## GALLERY

