

Mixer Tap Flat

Mixer Taps

Code: 8478 001



DETAILS

Mixer type Single-lever mixer tap with rotating, collapsible barrel (Up&Down), with remote control.

Material Brass

Texture Chromed

Rotating angle 360°

Strengthening plate ø52mm

Cartridge With ceramic discs

Holes distance max 500 mm - min. 85 mm

Double hole requested Necessary

Mixer hole ø35mm

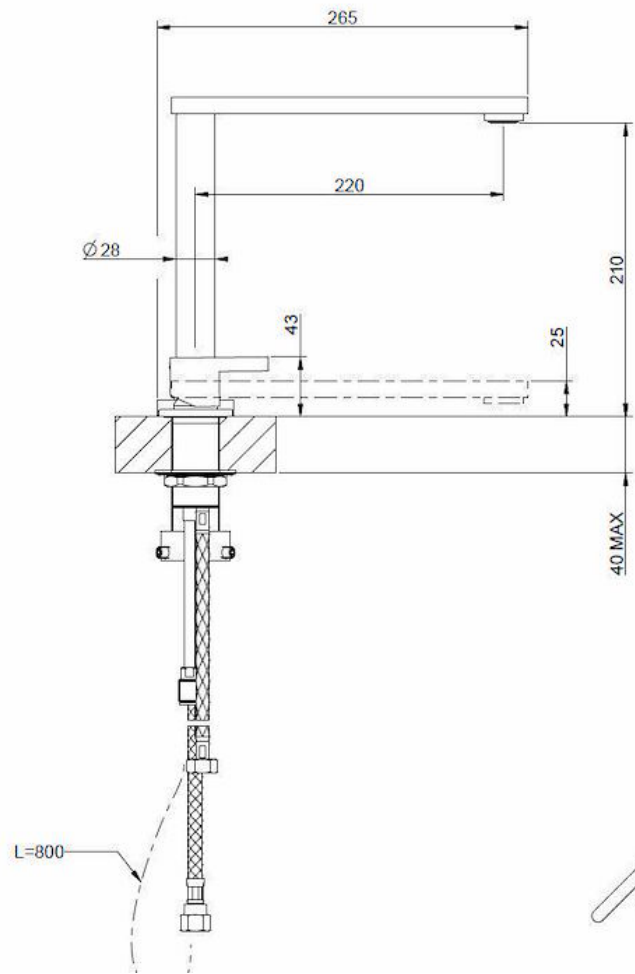
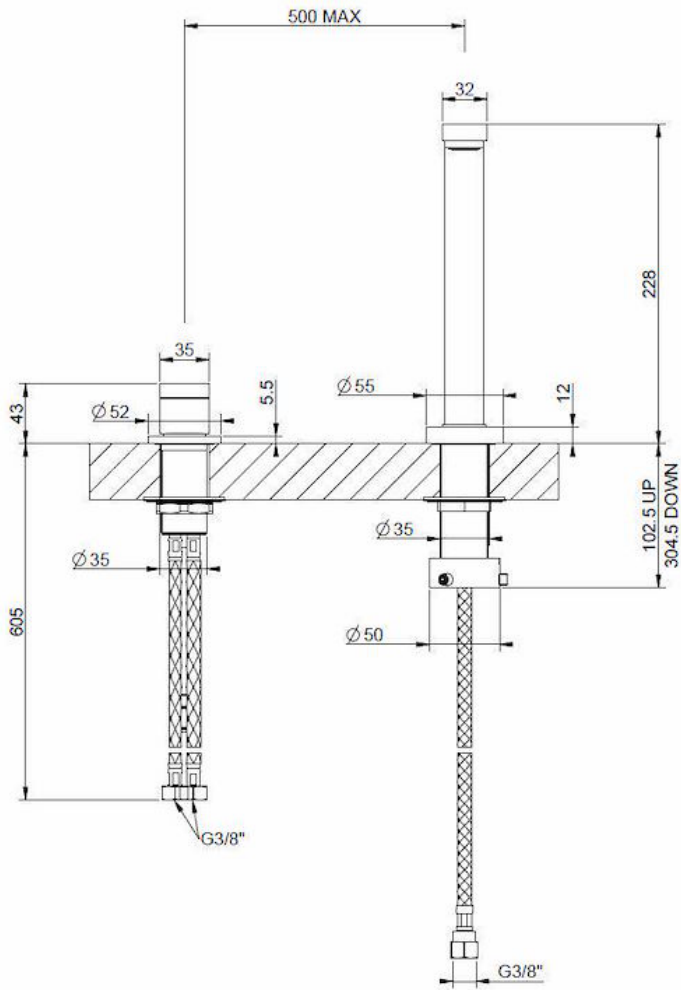
Max worktop thickness 40mm

FEATURES

Rotating angle All the taps have a wide angle of rotation. Some models even permit a full 360° rotation.

Strengthening plate Foster's mixer taps are equipped with the strengthening plate that offers perfect stability on any sink.

TECHNICAL DATA



GALLERY

