

Mixer Tap Tube satin

Mixer Taps

Code: 8477 100



DETAILS

Mixer type Single lever faucet with rotating barrel and flexible head.

Material Stainless steel AISI 316

Texture Satin

Rotating angle 360°

Strengthening plate ø55mm

Cartridge With ceramic discs

Mixer hole ø35mm

Rear encumbrance 25mm

Max worktop thickness 40mm

FEATURES

Aisi 316 stainless steel

Made in AISI 316 stainless steel, which guarantee a perfect resistance to corrosion and maximum hygiene and safety, even for food use water.

Double jet (flow and rain)

Several models are equipped with a switch to easily change the flow from continuous to shower.

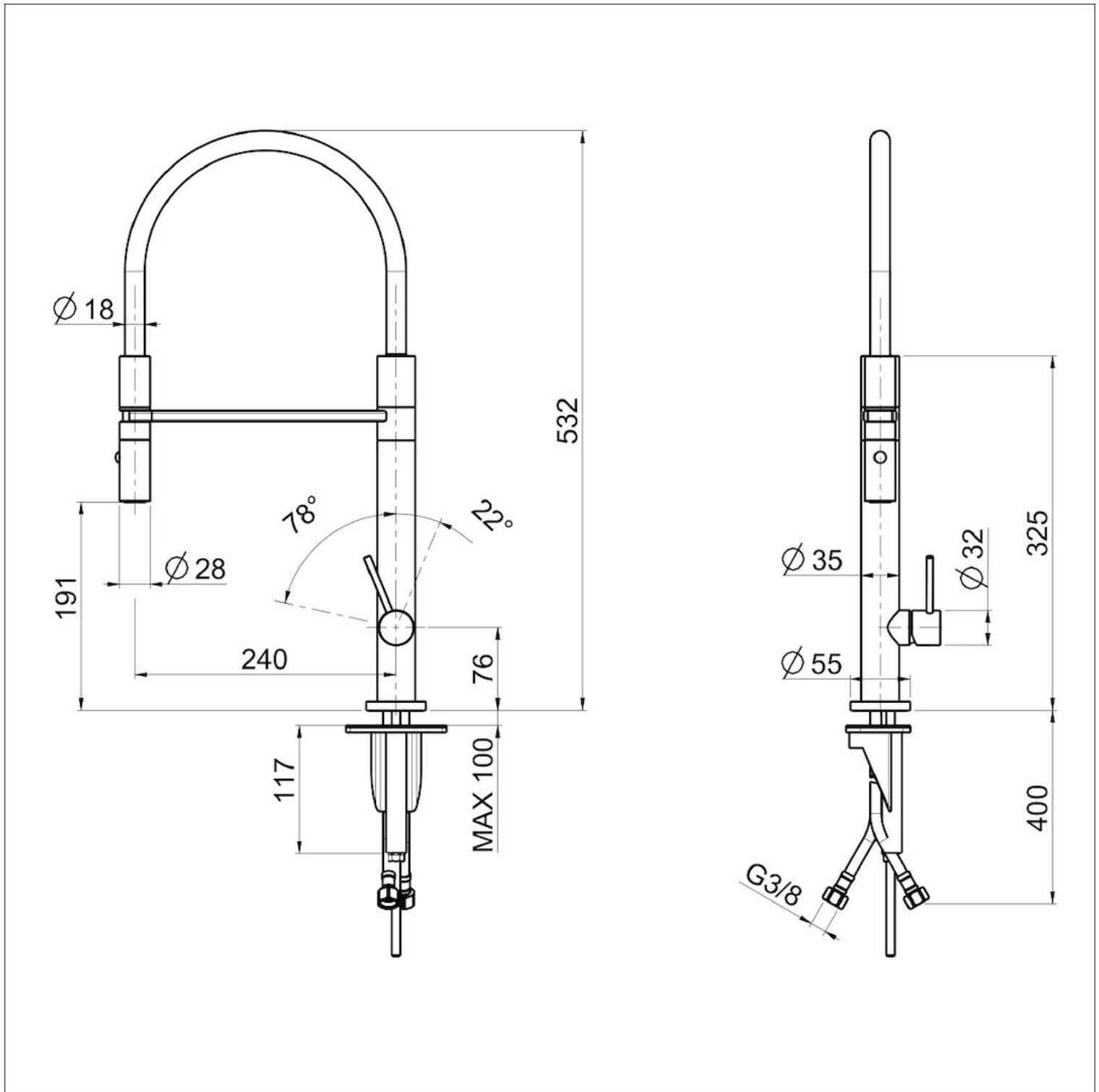
Rotating angle

All the taps have a wide angle of rotation. Some models even permit a full 360° rotation.

Strengthening plate

Foster's mixer taps are equipped with the strengthening plate that offers perfect stability on any sink.

TECHNICAL DATA



GALLERY

