

Mixer Tap Arsenio

Mixer Taps

Code: 8471 000



DETAILS

Mixer type	Single-lever mixer tap with rotating, collapsible barrel (Up&Down), with extractable head and remote control.
Material	Brass
Texture	Chromed
Rotating angle	360°
Strengthening plate	ø52mm
Cartridge	With ceramic discs
Holes distance	max 500 mm - min. 85 mm
Double hole requested	Necessary
Mixer hole	ø35 mm

Max worktop thickness 40mm

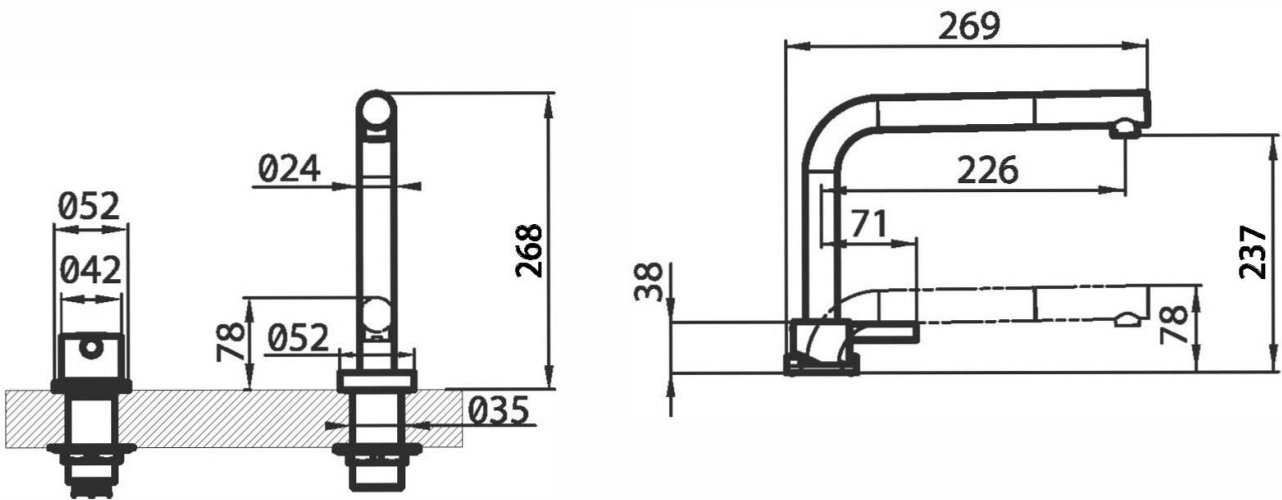
FEATURES

Extractable head The head of the tap is extractable, in order to easily reach any area of the sink.

Rotating angle All the taps have a wide angle of rotation. Some models even permit a full 360° rotation.

Strengthening plate Foster's mixer taps are equipped with the strengthening plate that offers perfect stability on any sink.

TECHNICAL DATA



GALLERY

