

Mixer Tap Lorenzo

Mixer Taps

Code: 8466 000



DETAILS

Mixer type Single lever mixer tap with rotating barrel and extractable shower head.

Material Brass

Texture Chromed

Rotating angle 120°

Strengthening plate ø48mm

Cartridge With ceramic discs

Mixer hole ø35 mm

Max worktop thickness 40 mm

FEATURES

120 ° rotation

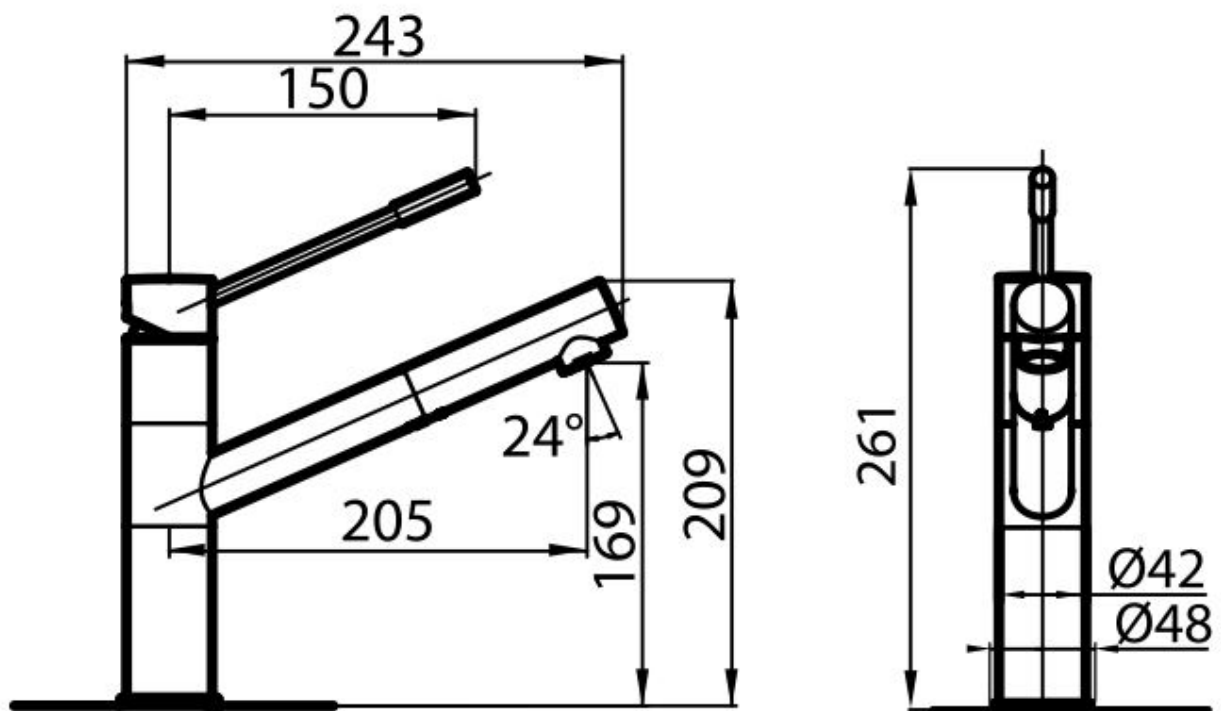
Extractable head

The head of the tap is extractable, in order to easily reach any area of the sink.

Strengthening plate

Foster's mixer taps are equipped with the strengthening plate that offers perfect stability on any sink.

TECHNICAL DATA



GALLERY

