

Mixer Tap Lorenzo satin

Mixer Taps

Code: 8466 100



DETAILS

Mixer type Single lever mixer tap with rotating barrel and extractable shower head.

Material Brass

Texture Satin

Rotating angle 120°

Strengthening plate ø48mm

Cartridge With ceramic discs

Mixer hole ø35mm

Max worktop thickness 40mm

FEATURES

120 ° rotation

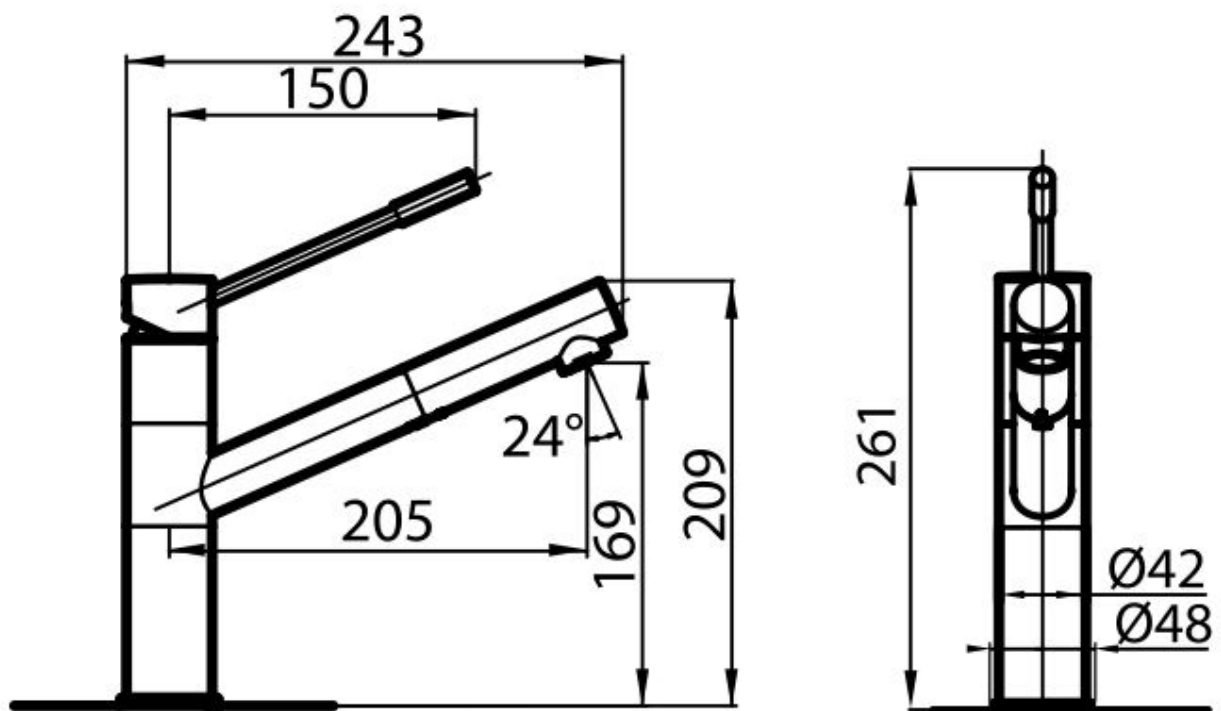
Extractable head

The head of the tap is extractable, in order to easily reach any area of the sink.

Strengthening plate

Foster's mixer taps are equipped with the strengthening plate that offers perfect stability on any sink.

TECHNICAL DATA



GALLERY

