



Mixer Tap Flexo

Mixer Taps

Code: 8456 000



DETAILS

Material Brass

Texture Chromed

Rotating angle 360°

Strengthening plate ø51mm

Cartridge With ceramic discs

Mixer hole ø35mm

Max worktop thickness 40mm

Mixer type Single lever faucet with rotating barrel and flexible head.

FEATURES

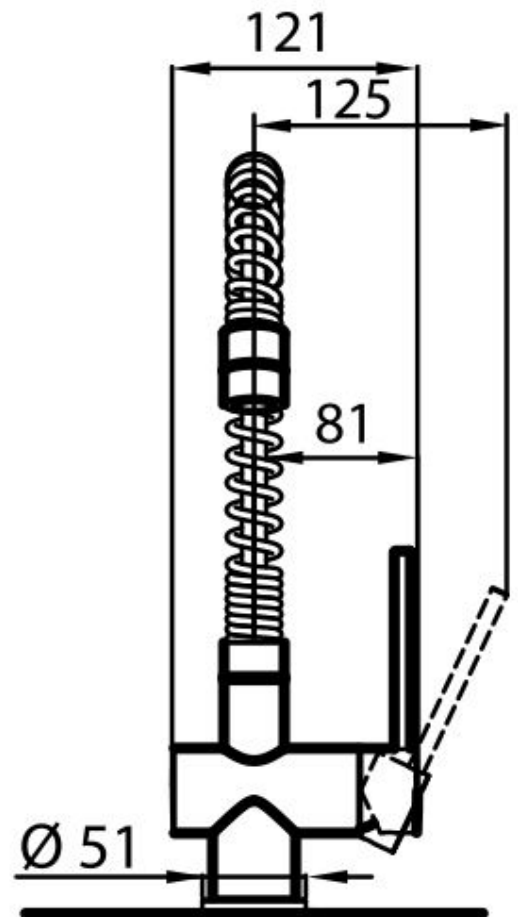
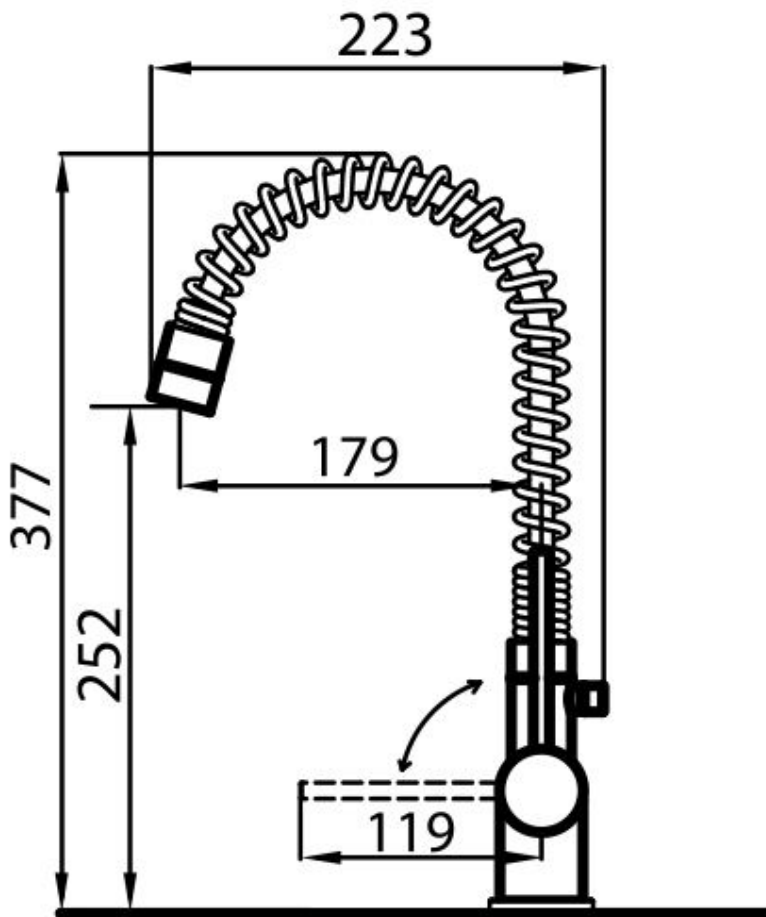
Rotating angle

All the taps have a wide angle of rotation. Some models even permit a full 360° rotation.

Strengthening plate

Foster's mixer taps are equipped with the strengthening plate that offers perfect stability on any sink.

TECHNICAL DATA



GALLERY

