

Mixer Tap Bert

Mixer Taps

Code: 8428 100



DETAILS

Mixer type Single lever mixer tap with extractable shower. Made in AISI 316 stainless steel.

Material Stainless steel AISI 316

Texture Satin

Rotating angle 120°

Strengthening plate ø54mm

Cartridge With ceramic discs

Mixer hole ø35mm

Max worktop thickness 50mm

FEATURES

120 ° rotation

Aisi 316 stainless steel

Made in AISI 316 stainless steel, which guarantee a perfect resistance to corrosion and maximum hygiene and safety, even for food use water.

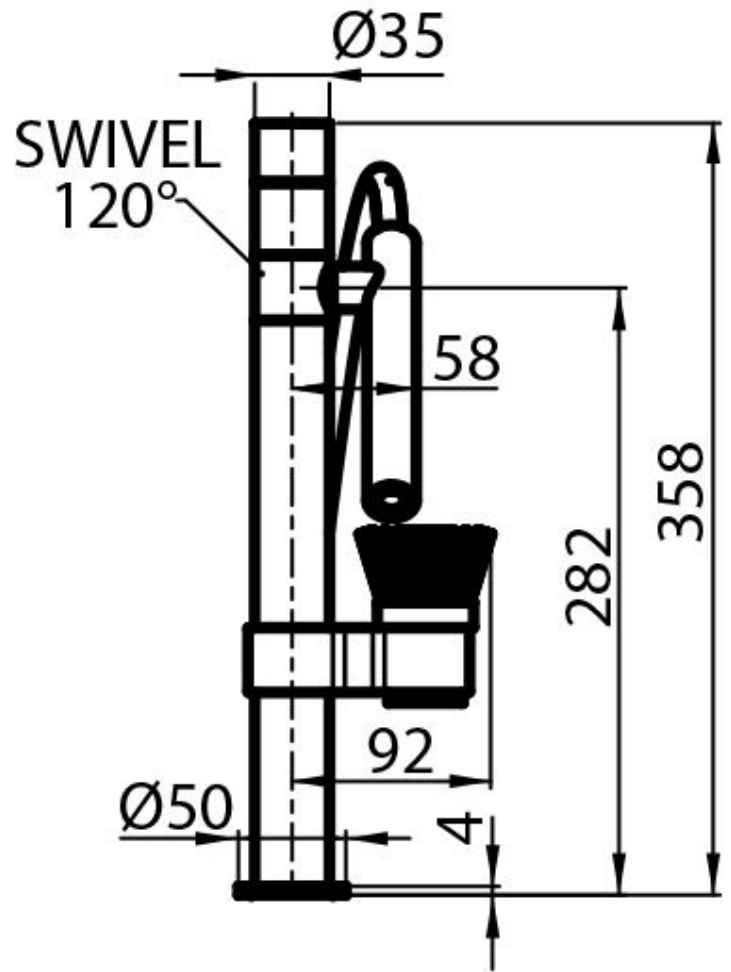
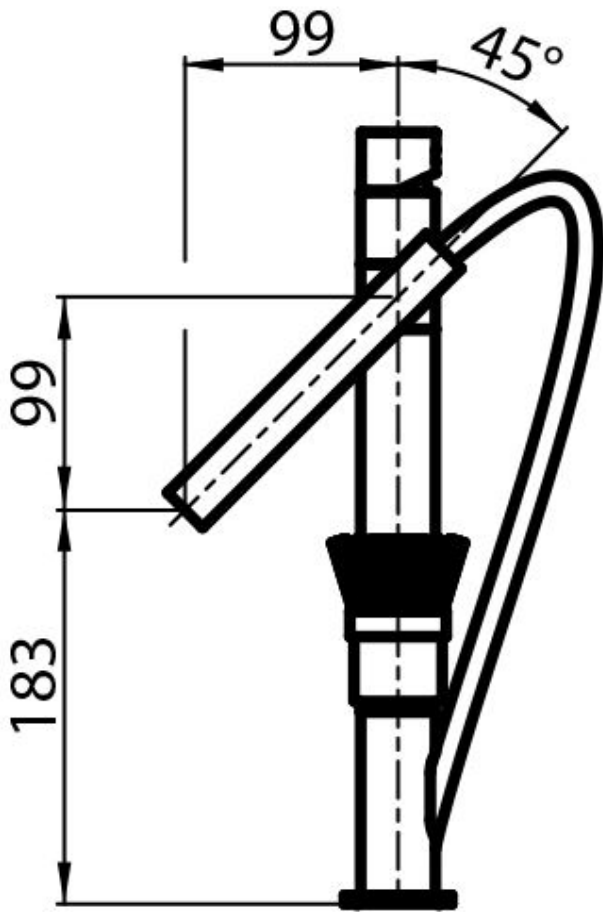
Extractable head

The head of the tap is extractable, in order to easily reach any area of the sink.

Strengthening plate

Foster's mixer taps are equipped with the strengthening plate that offers perfect stability on any sink.

TECHNICAL DATA



GALLERY

