



Mixer Tap Skin Gun Metal

Mixer Taps

Code: 8424 856



DETAILS

Mixer type Single lever faucet with rotating barrel and flexible head.

Coloring Gun Metal

Finish PVD

Material Stainless steel AISI 316

Texture Satin

Rotating angle 360°

Strengthening plate ø50 mm

Cartridge With ceramic discs

Mixer hole ø35 mm

Aesthetics parts AISI 316 steel aesthetic parts with PVD treatment

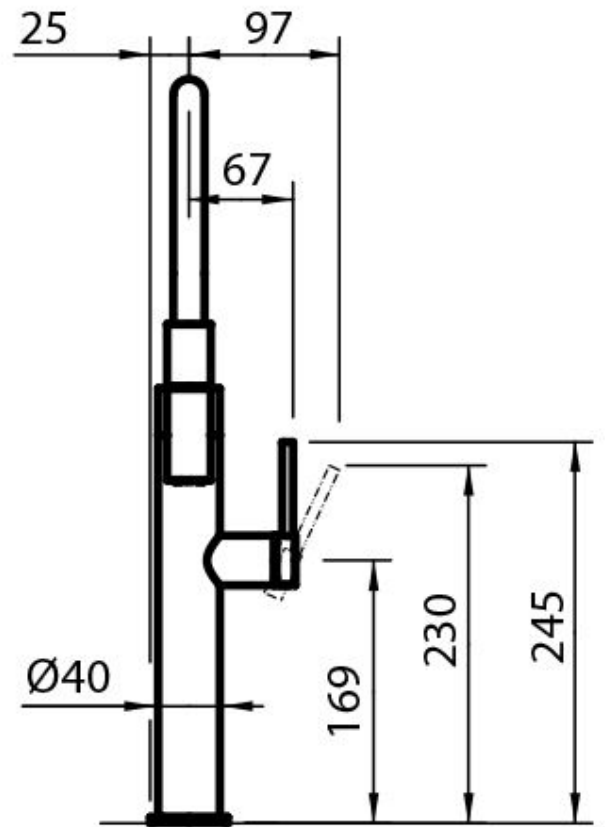
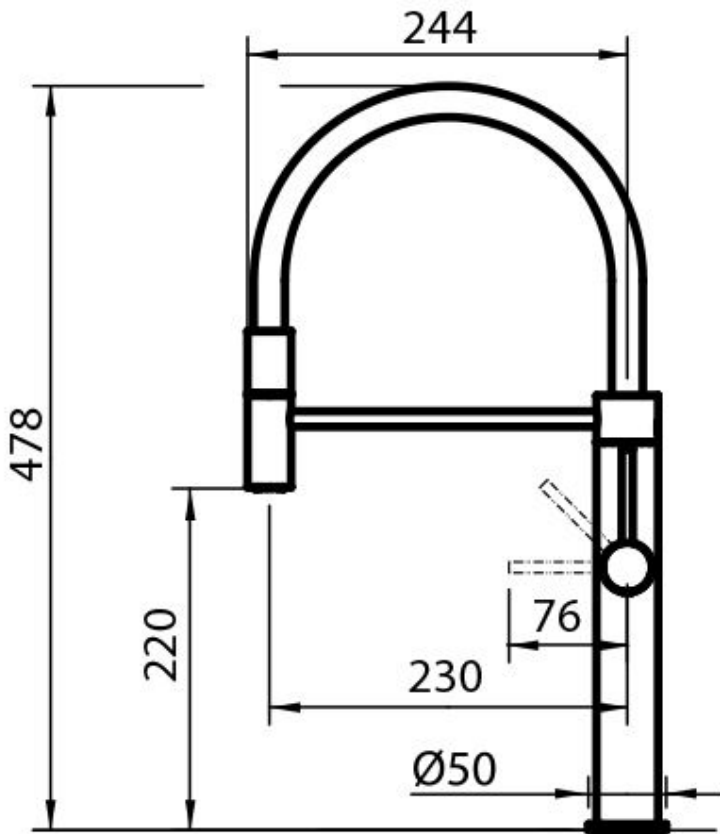
Max worktop thickness 40mm

FEATURES

Rotating angle All the taps have a wide angle of rotation. Some models even permit a full 360° rotation.

Strengthening plate Foster's mixer taps are equipped with the strengthening plate that offers perfect stability on any sink.

TECHNICAL DATA



GALLERY

