

Diade equipped troughs

Equipped troughs

Code: 8100 801



DETAILS

Edge/Installation Type Flush-mount | Top-mount | Undermount

Material AISI 304 stainless steel

Finish Foster brushed

Texture Brushed in line

Base 120 cm

External dimensions 520 x 164 mm

Internal dimensions 480 x 124 mm

Width 52 cm

Built-in hole [View sink technical data sheet](#)

Standard fittings

Fixing hooks, gasket, drain, boxed packing

Waste fitting

1¼" drain

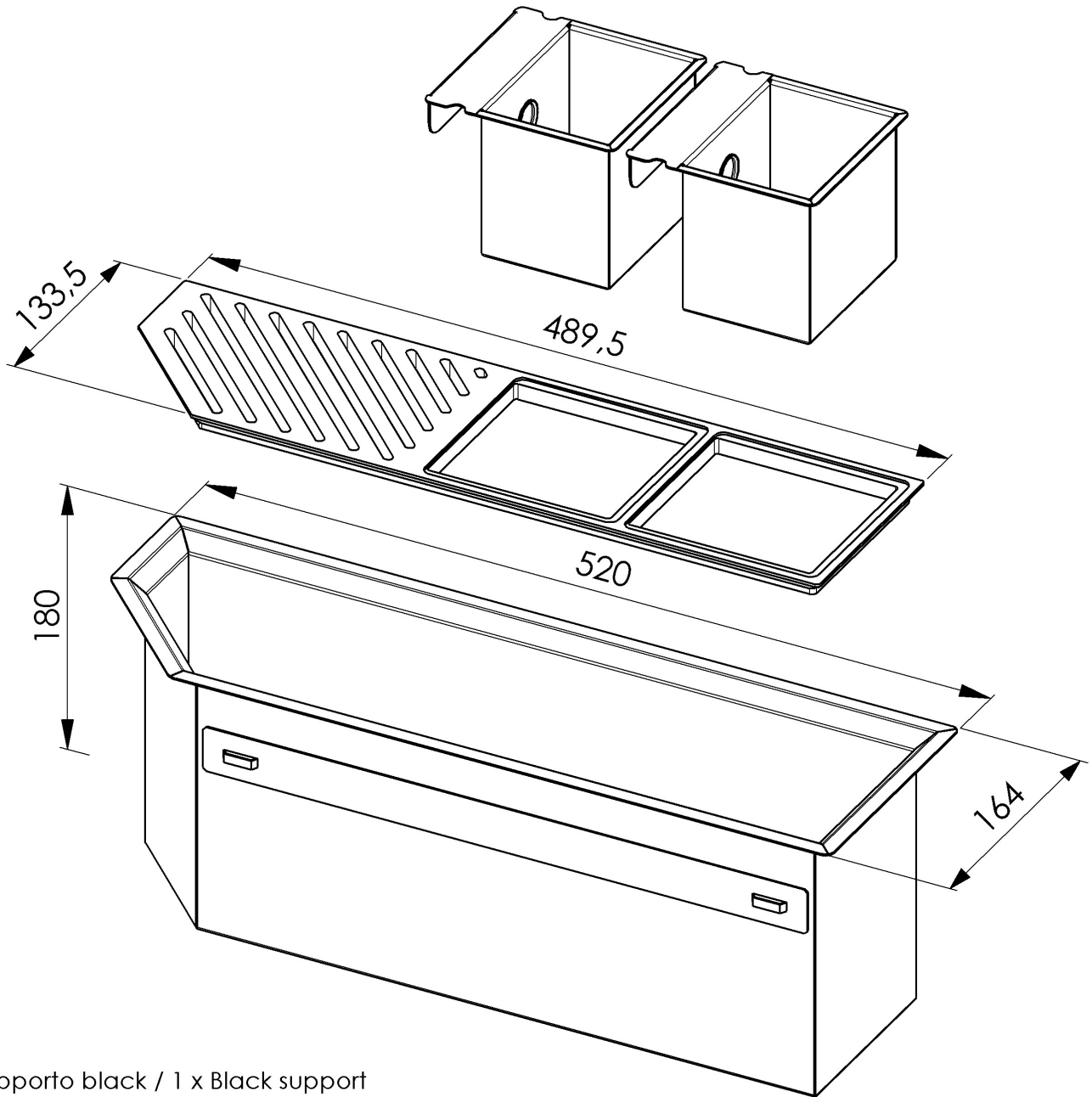
FEATURES

High thickness

1mm thick steel. A significant thickness, which guarantees the maximum sturdiness and durability.

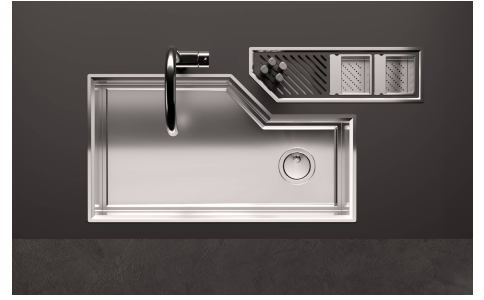
TECHNICAL DATA

8100 801



1 x Supporto black / 1 x Black support
2 x Vaschetta AISI 304 / 2 x AISI 304 tray

GALLERY



RECOMMENDED PAIRINGS



Sink Diade
3028 850



Sink Diade
3028 000