



## Kit "N"

Black grid, Iroko-wood chopping board, stainless steel bottle holder

Equipped troughs accessories

Code: 8100 714



## DETAILS

Equipped troughs accessories    Multifunction kit

---

Type    Standard

---

Dimensions    56 x 14 cm

---

Length    4 unit - Standard

---

Key to understanding the accessories    The lengths of the channels and accessories are indicated in “units”; for the composition, the sum of the “units” of the accessories must be the same as the length in “units” of the channel.

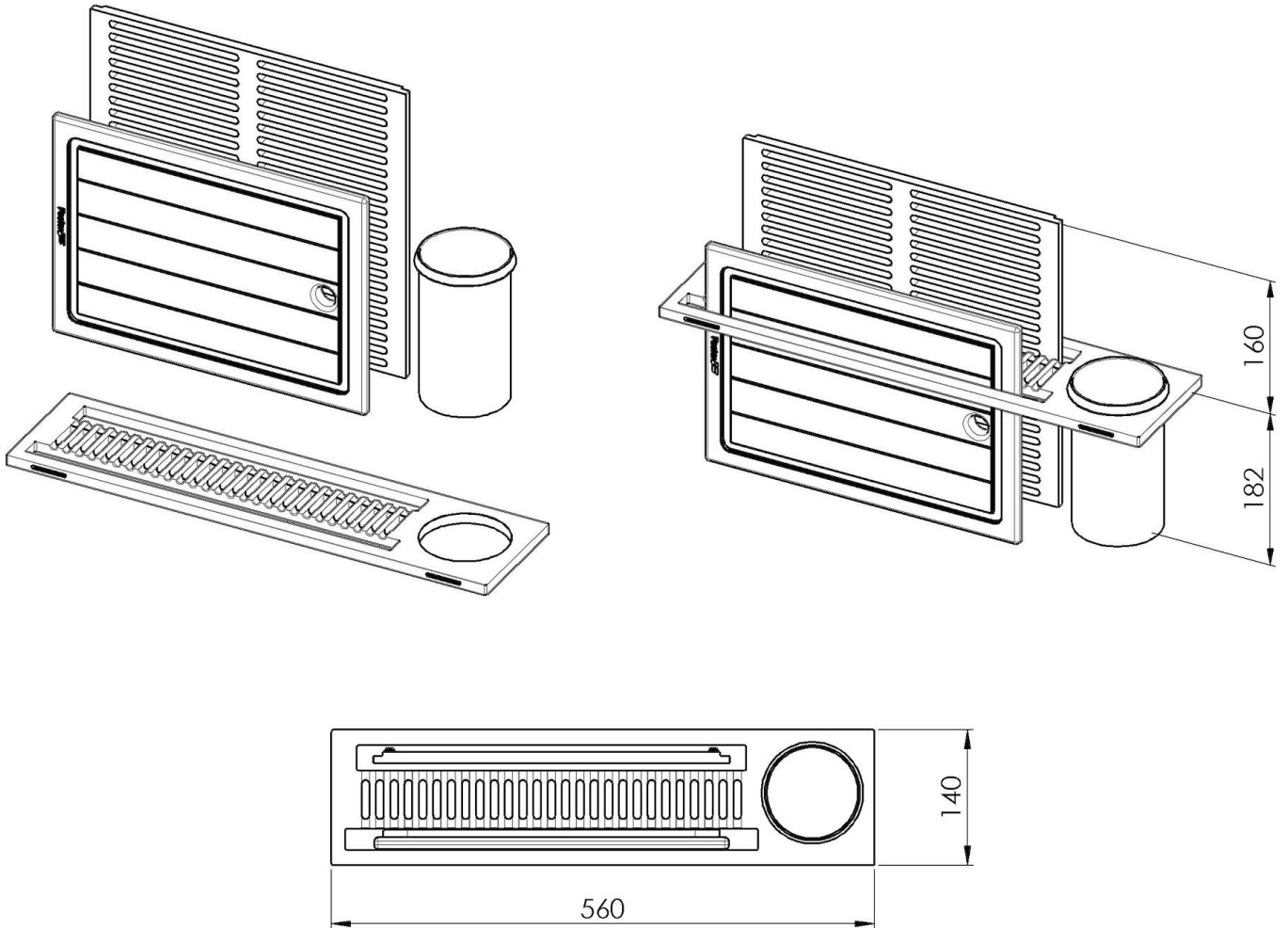
---

Notes:    Only for Series 35 bowls

---

## TECHNICAL DATA

8100 714



- 1 x supporto black / 1 x black support
- 1 x portabottiglie / 1 x bottle holder
- 1 x tagliere iroko / 1 x iroko chopping board
- 1 x griglia black / 1 x black grill

## EQUIPMENT



**Black grid**  
8100 618



**Iroko-wood chopping board**  
8643 117

## OPTIONAL ACCESSORIES



**Knives-holder**  
8100 030