

## Kit "M"

Kit tagliere in legno iroko

Equipped troughs accessories

Code: 8100 709



### DETAILS

Equipped troughs accessories    Multifunction kit

---

Type    Slim

---

Dimensions    44 x 8,8 cm

---

Length    2 unit - Slim

---

Key to understanding the accessories    The lengths of the channels and accessories are indicated in “units”; for the composition, the sum of the “units” of the accessories must be the same as the length in “units” of the channel.

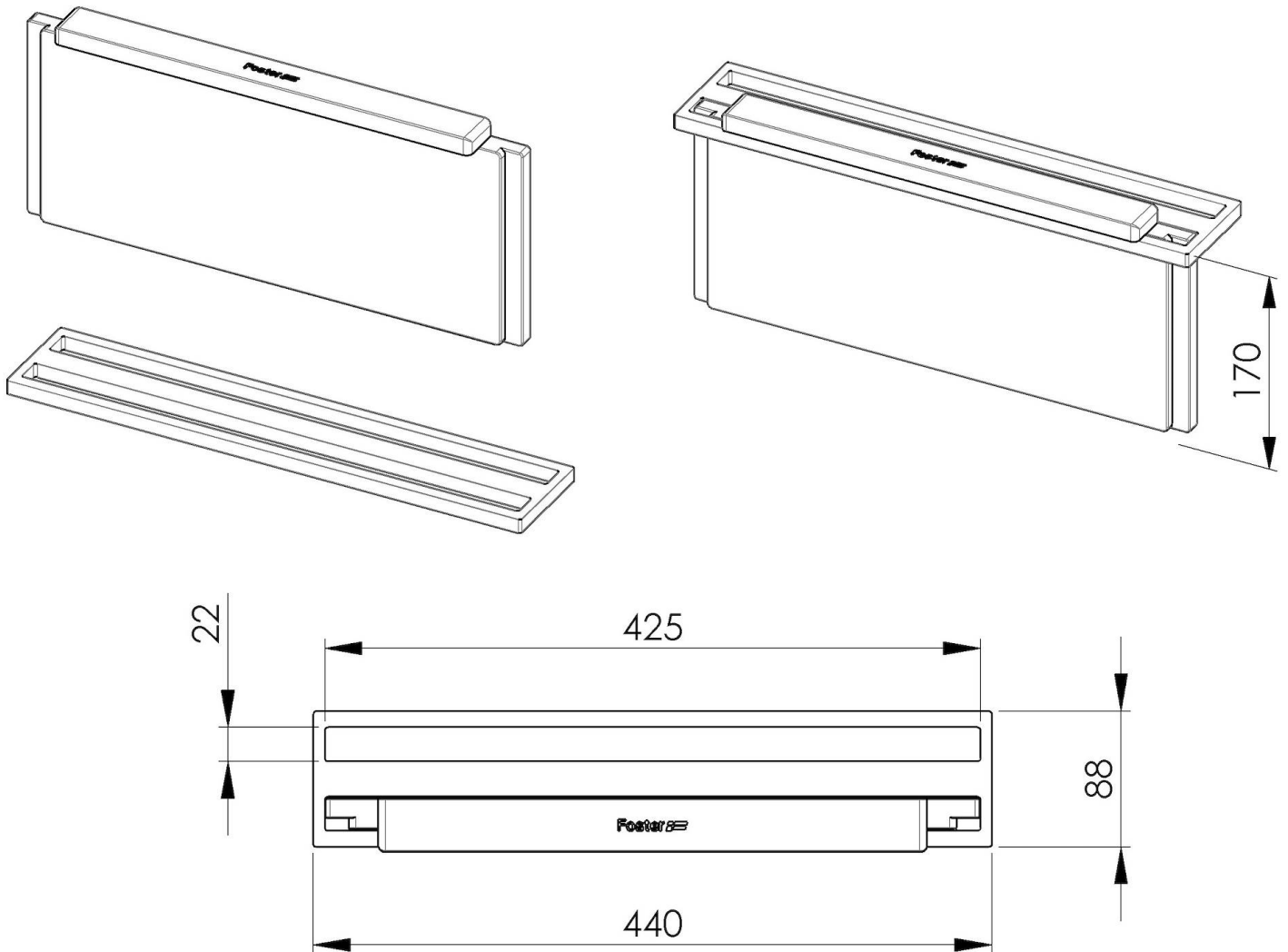
---

Notes:    The following grids can be housed in the free space:  
**8100 602** Milanello  
**8100 617** Quadra R12, Phantom, Quadra, KE  
**8100 600** Milano

---

## TECHNICAL DATA

8100 709



1 x supporto black / 1 x black support

1 x tagliere Iroko 8644 105 / 1 x Iroko cutting board 8644 105

## OPTIONAL ACCESSORIES



**Black grid**  
8100 600



**Black grid**  
8100 617



**Black grid Milanello**  
8100 602