

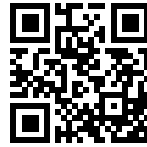


Kit "I"

Kit tagliere in legno iroko

Equipped troughs accessories

Code: 8100 707



DETAILS

Equipped troughs accessories Multifunction kit

Type Slim

Dimensions 38 x 8,8 cm

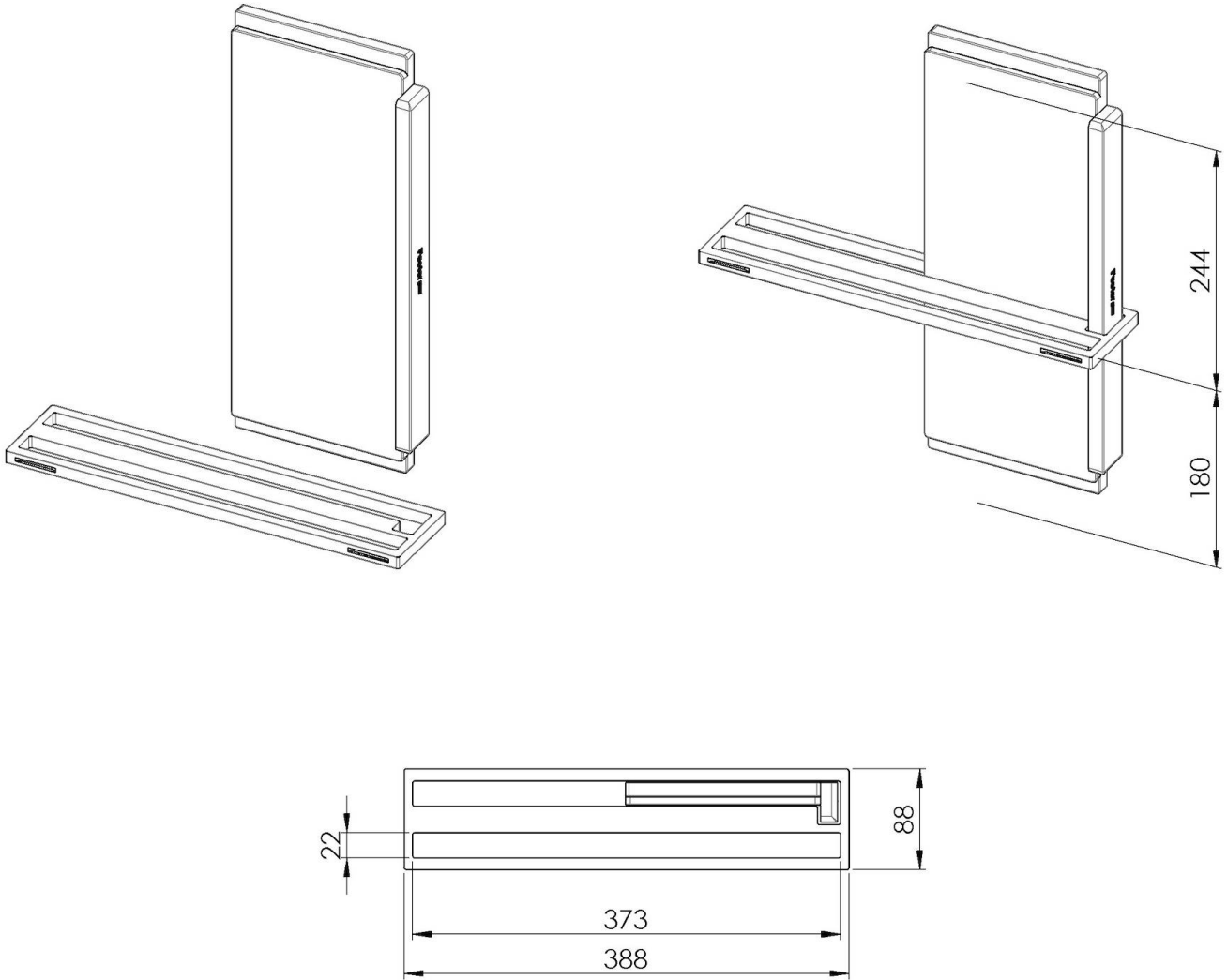
Length 1 unit - Slim

Key to understanding the accessories The lengths of the channels and accessories are indicated in “units”; for the composition, the sum of the “units” of the accessories must be the same as the length in “units” of the channel.

Notes: The following grids can be housed in the free space:
8100 602 Milanello

TECHNICAL DATA

8100 707



1 x supporto black / 1 x black support
1 x tagliere iroko 8644 105 / 1 x iroko cutting board 8644 105

OPTIONAL ACCESSORIES



Black grid Milanello

8100 602