

## Kit "D"

Stainless steel bottle holder

Equipped troughs accessories

Code: 8100 704



### DETAILS

Material Stainless steel

---

Type Standard

---

Dimensions 14 x 14 cm

---

Length 1 unit - Standard

---

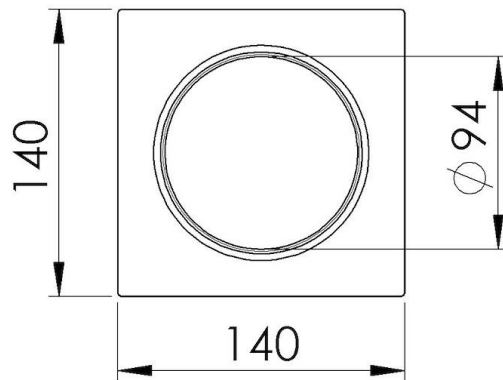
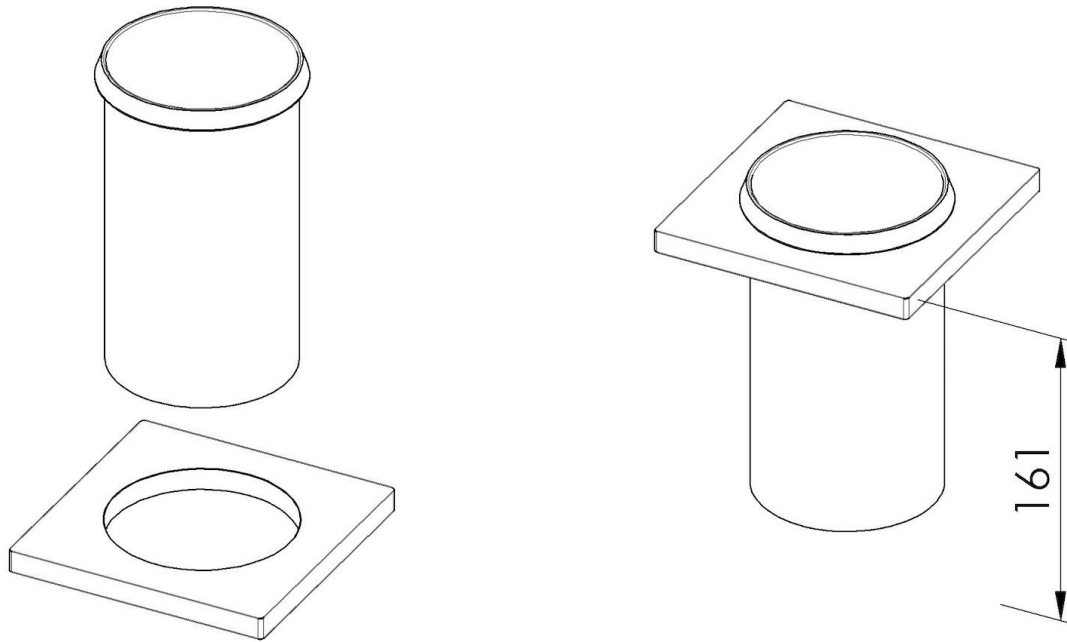
Key to understanding the accessories

The lengths of the channels and accessories are indicated in “units”; for the composition, the sum of the “units” of the accessories must be the same as the length in “units” of the channel.

---

## TECHNICAL DATA

8100 704



1 x supporto black / 1 x black support  
1 x portabottiglie / 1 x bottle holder

## OPTIONAL ACCESSORIES



**Knives-holder**  
8100 030