

Push socket-holder

2 Schuko sockets, 1 USB socket for charging

Equipped troughs accessories

Code: 8000 020



DETAILS

Equipped troughs accessories Push socket-holder

Material Stainless steel

Texture Brushed in line

Finish Foster brushed

Type Standard

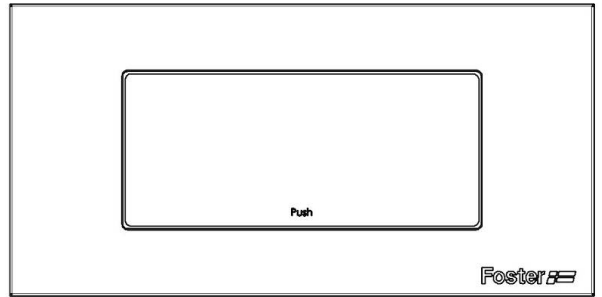
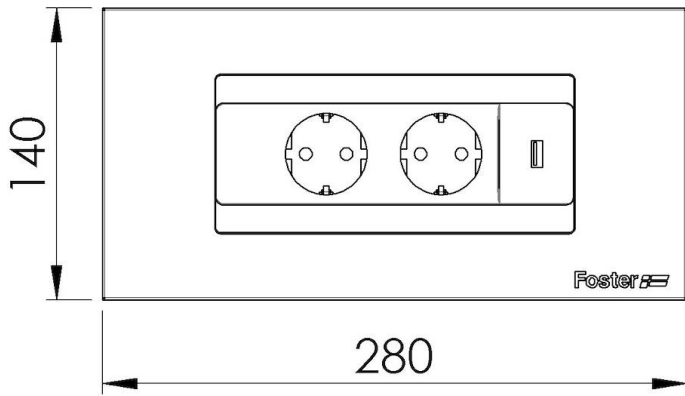
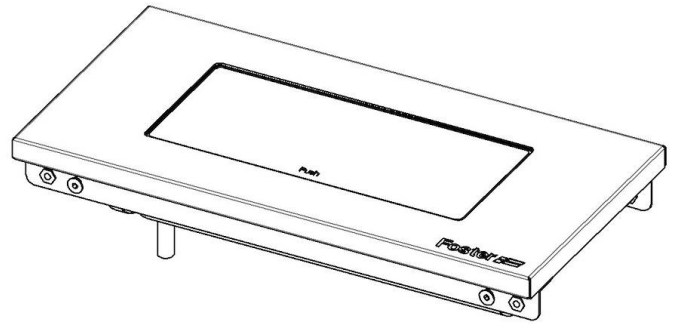
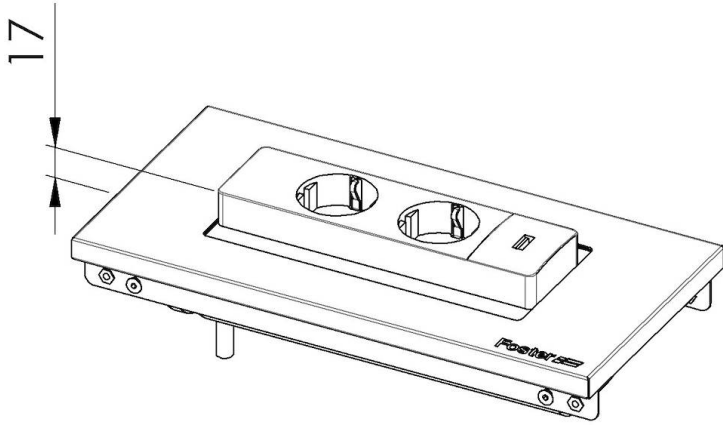
Dimensions 28 x 14 cm

Length 2 unit - Standard

Key to understanding the accessories The lengths of the channels and accessories are indicated in “units”; for the composition, the sum of the “units” of the accessories must be the same as the length in “units” of the channel.

TECHNICAL DATA

8000 020



GALLERY

