

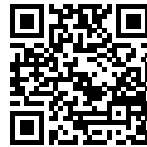
Casper

Built-in socket

Code: 8000 014



Push extractable socket holder tower - 2 Schuko sockets
Including power cable



DETAILS

Built-in hole Ø 80 mm

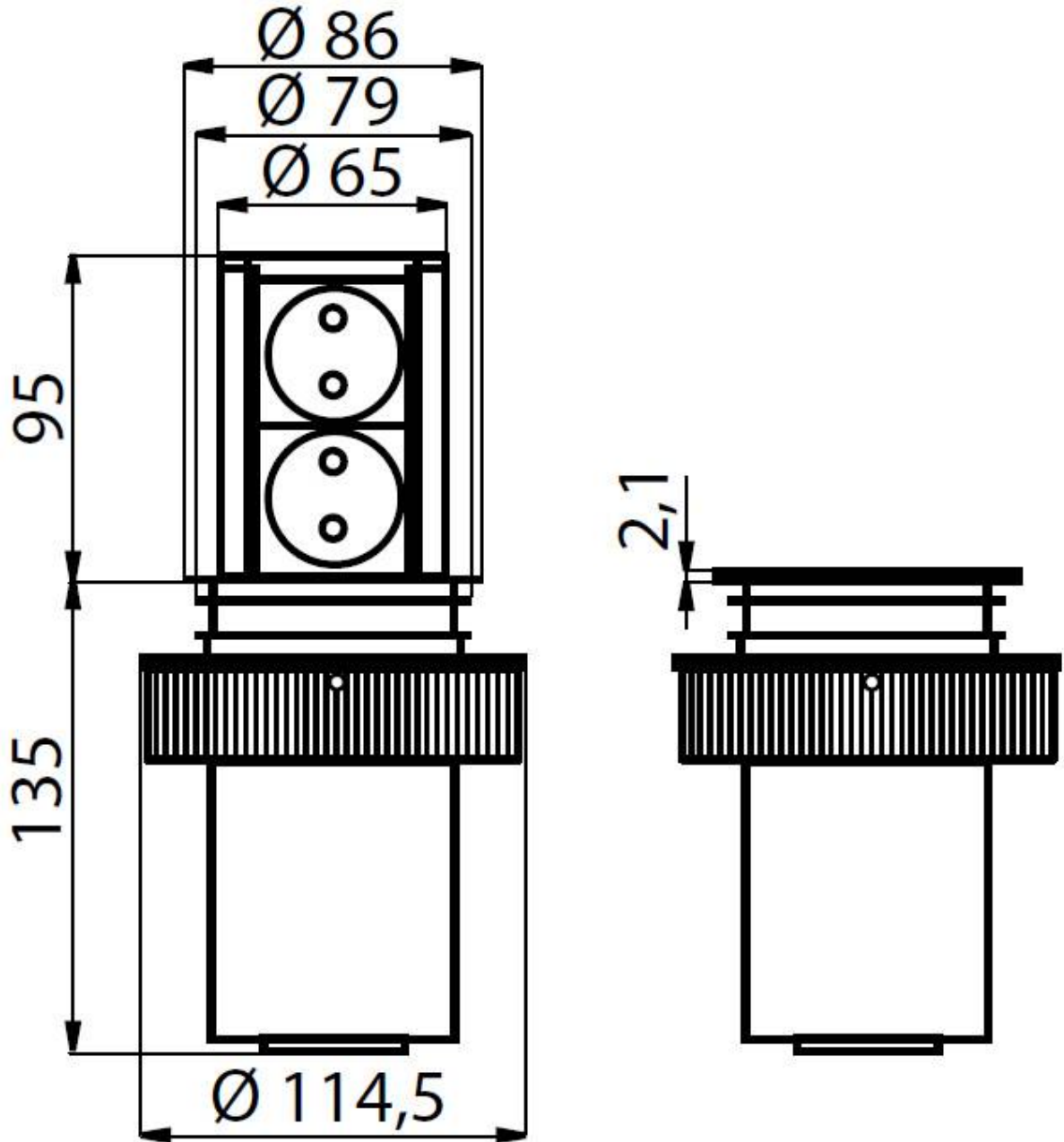
Notes: It's advisable to keep a distance of 40 cm from sinks or cooking hobs (protection index IP20)

Max worktop thickness

Type of accessory c

Installation

TECHNICAL DATA



GALLERY

