

Reverse - PVD Gold

Built-in socket

Code: 8000 119

Push socket-holder slot in Gold PVD stainless steel for built-in installation on work surfaces - 2 Schuko socket - 1 USB socket for charging



DETAILS

Coloring Gold

Finish PVD

Material AISI 304 stainless steel

Texture Foster brushed

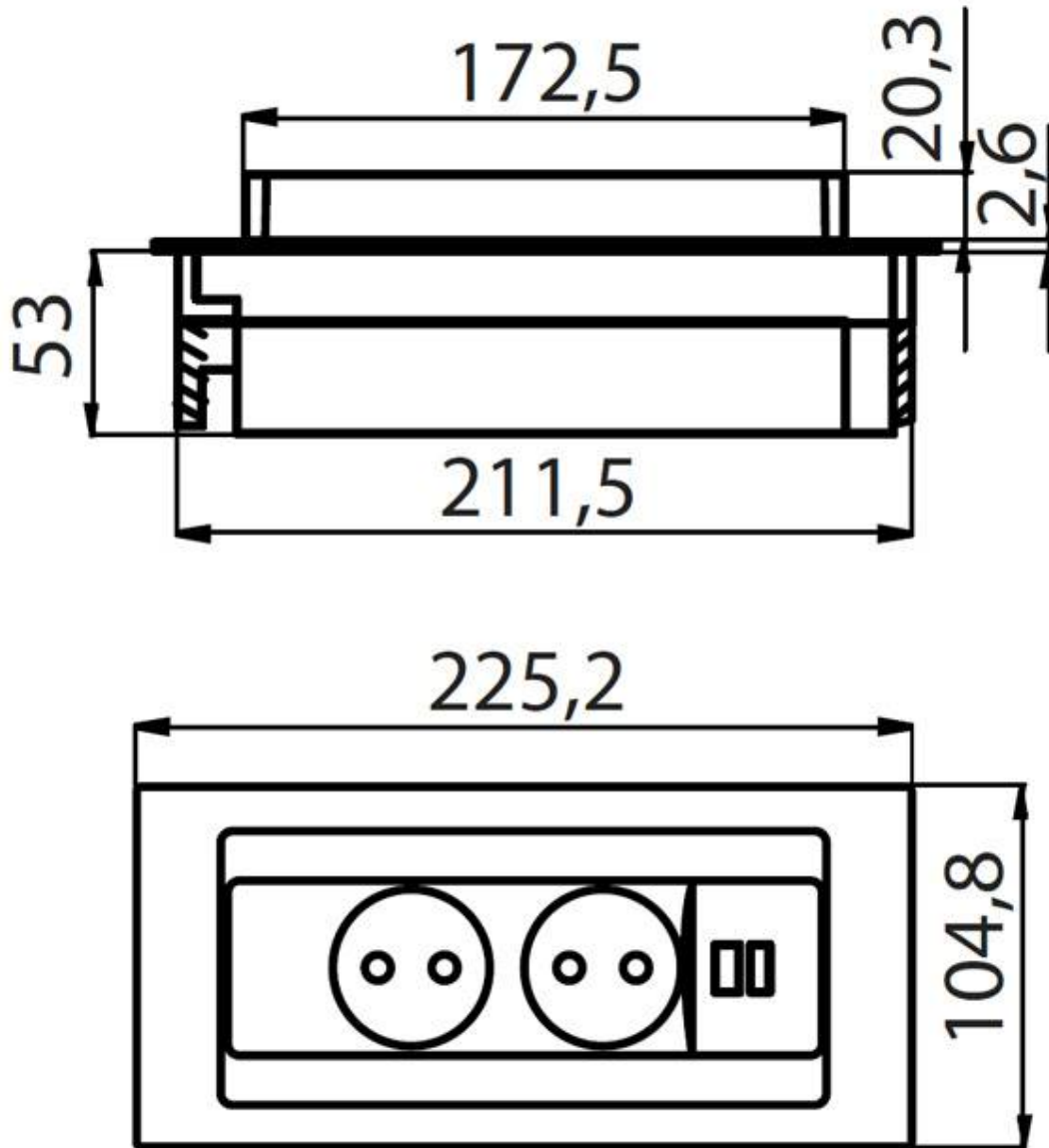
Built-in hole 215x88 mm

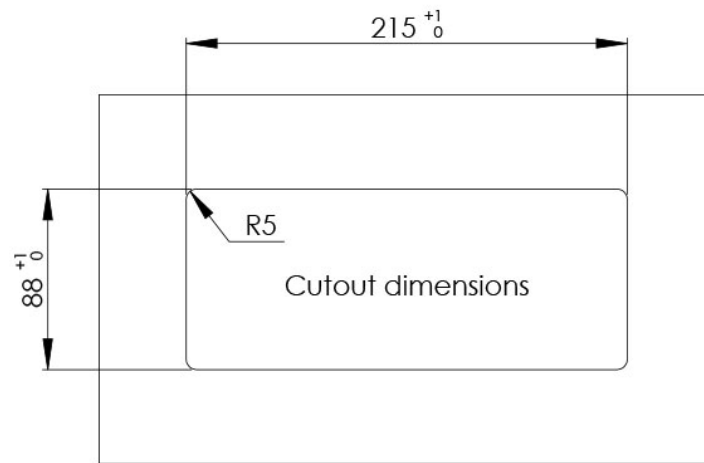
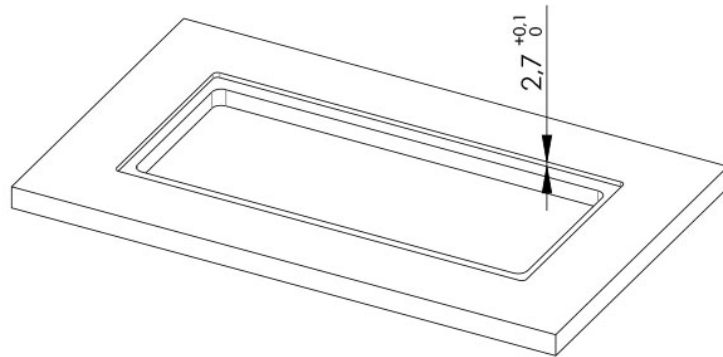
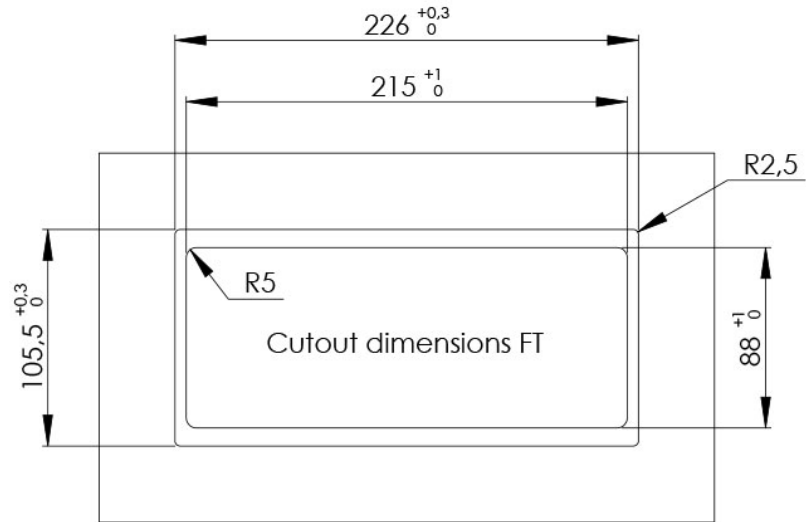
Notes: It's advisable to keep a distance of 40 cm from sinks or cooking hobs (protection index IP20)

FEATURES

Gold The Gold finish is obtained by treating the steel with a physical process called PVD (Physical Vacuum Deposition) which deposits particles of noble metals on the surface. The result is a unique and refined aesthetic effect, and an improvement in the mechanical properties of the steel that is more resistant to shocks and scratches.

TECHNICAL DATA





GALLERY

