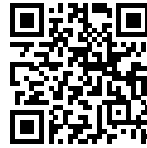


Filo3

Built-in socket

Code: 8000 113

Slot portaprese push per incasso su piani da lavoro -2
prese Schuko -1 presa ITA 3 poli 10A-16A Cavo
alimentazione in dotazione



DETAILS

Built-in hole 195x157 mm

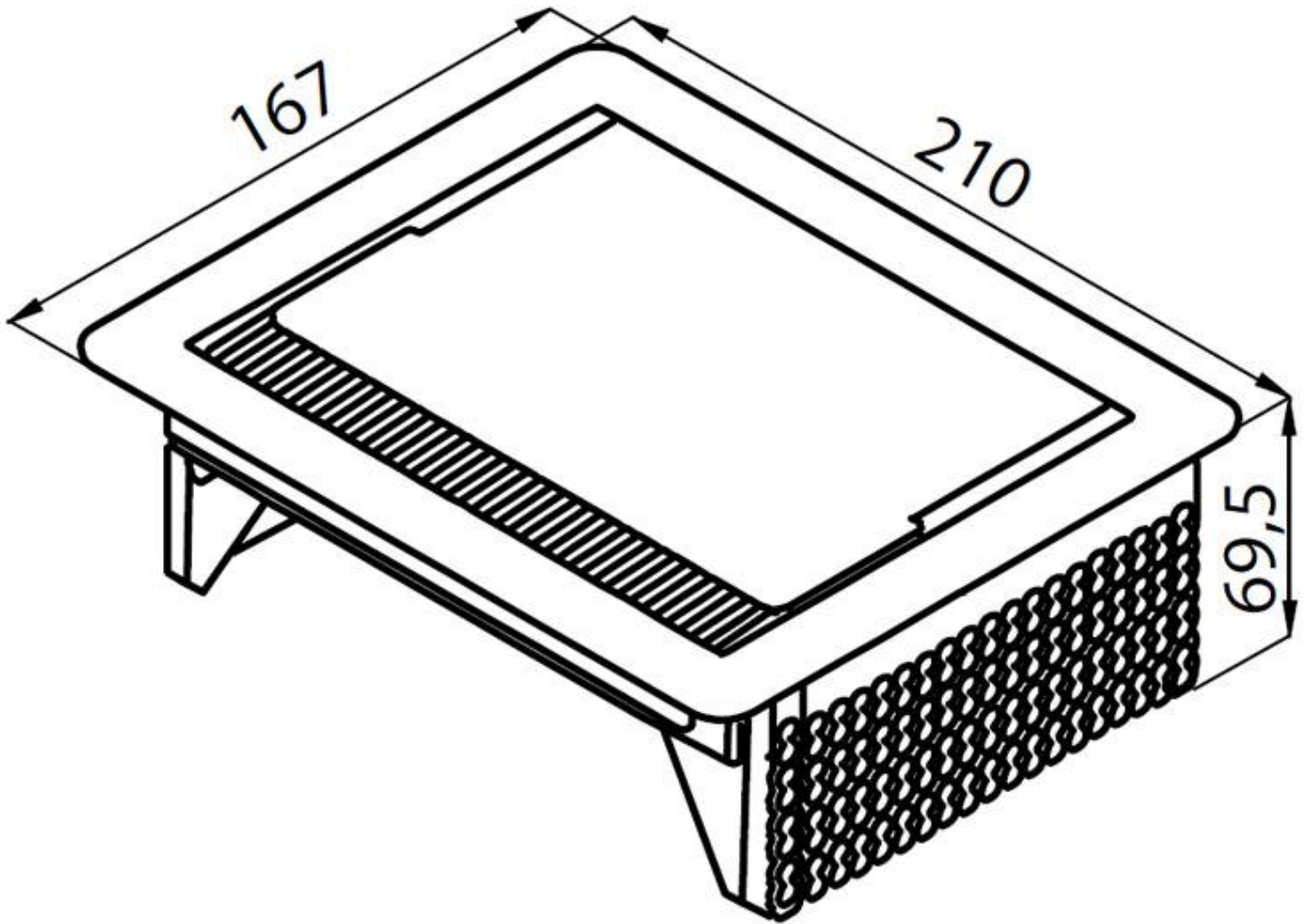
Notes: It's advisable to keep a distance of 40 cm from sinks or cooking hobs (protection index IP20)

Max worktop thickness 40mm

Type of accessory c

Notes: Height when It's open: 75 mm

TECHNICAL DATA



GALLERY

