

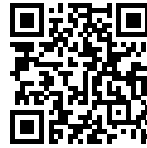


## Totem4 inox

Built-in socket

Code: 8000 011

**Torretta portaprese estraribile** -2 prese Schuko -1 presa ITA 3 poli 10A-16A -1 presa USB per ricarica Con tappo inox satinato Cavo alimentazione in dotazione



### DETAILS

Built-in hole  $\varnothing$  102 mm

---

Notes: It's advisable to keep a distance of 40 cm from sinks or cooking hobs (protection index IP20)

---

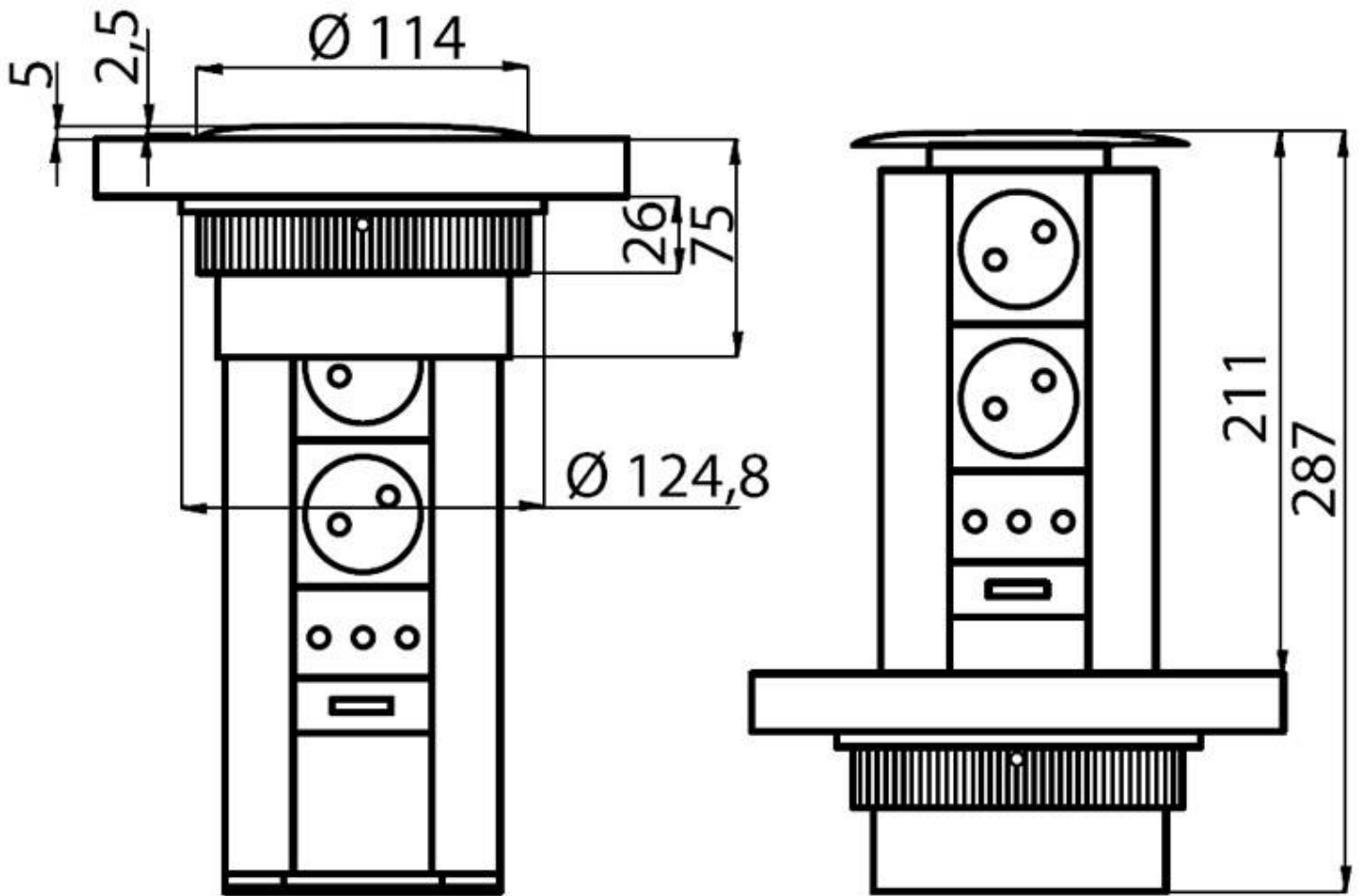
Max worktop thickness 50mm

---

Type of accessory c

---

## TECHNICAL DATA



## GALLERY



## OPTIONAL ACCESSORIES



Totem Q-inox



Totem3