

## Reverse

Built-in socket

Code: 8000 010



**Push socket-holder slot in stainless steel for built-in installation on work surfaces** - 2 Schuko socket -1 USB socket for charging



## DETAILS

Built-in hole 215x88 mm

---

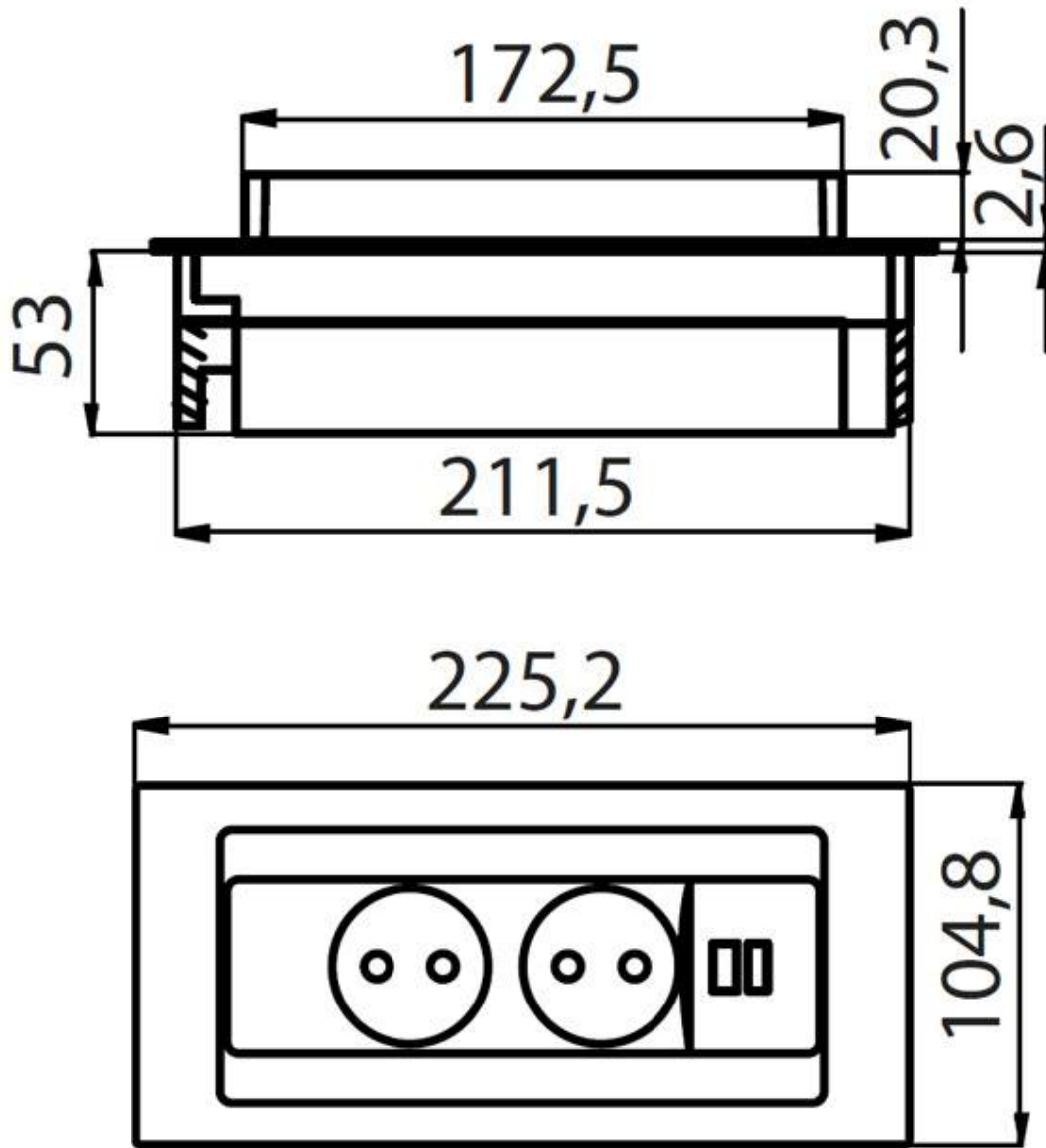
Notes: It's advisable to keep a distance of 40 cm from sinks or cooking hobs (protection index IP20)

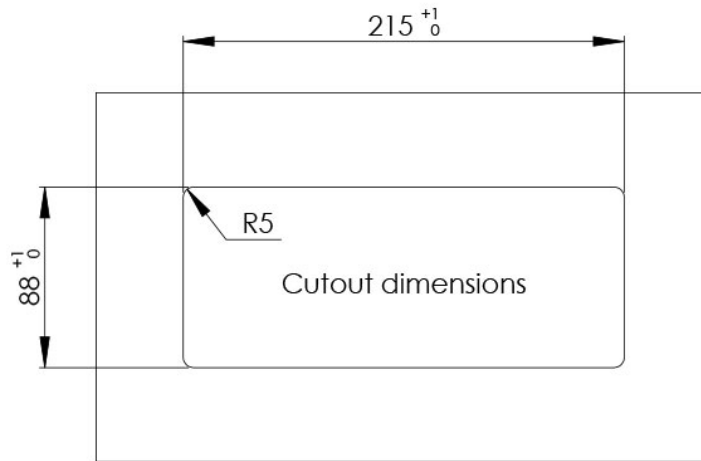
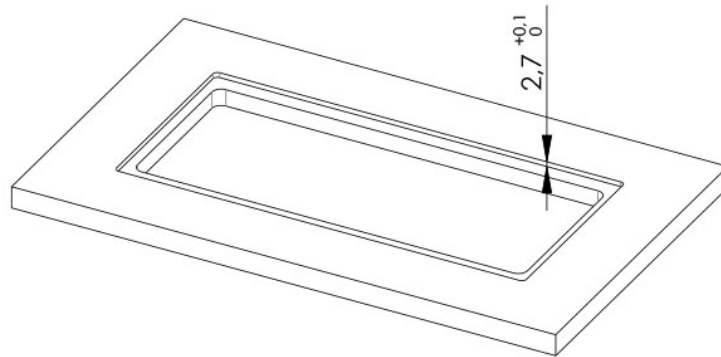
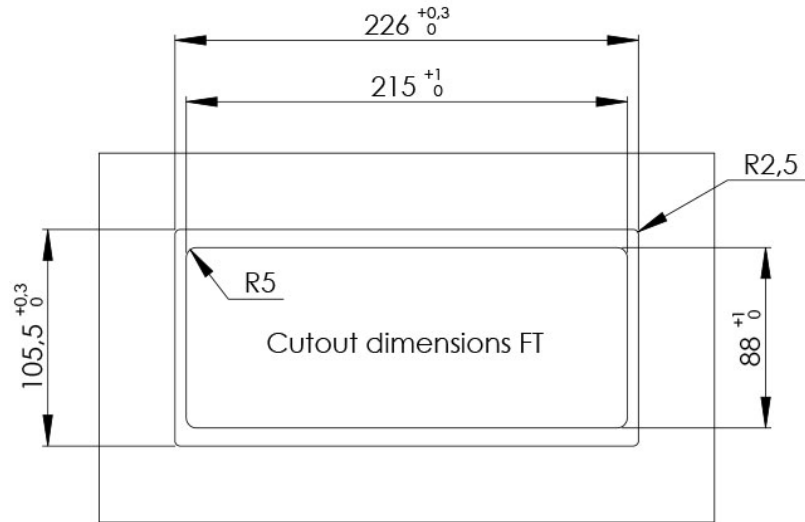
---

Type of accessory c

---

## TECHNICAL DATA





## GALLERY

