

## Cooker hob KF

Gas hobs

Code: 7666 062



### DETAILS

Edge/Installation Type      Standard (8 mm Edge)

---

Finish      Foster brushed

---

Material      AISI 304 stainless steel

---

Texture      Brushed in line

---

Supply      220 - 240 V; 50/60 Hz

---

Dimensions      760x500 mm

---

Base size      60 cm

---

Heating element      Five burners

---

Built-in hole      560 x 480 mm

---

Grids Cast iron grids and enamelled burner covers

---

Width 76 cm

---

Total power 10.700 W

---

Auxiliary 1.000 W

---

Semirapid 2 x 1.750 W

---

Rapid 2.700 W

---

Triple crown 3.500 W

---

Safety Safety valve with quick-acting thermocouple

---

Ignition Electric ignition under knob

---

Gas type Tested for installation with natural gas, LPG nozzle set included.

---

Type Gas Hob

---

## FEATURES

**Cast iron grids** Cast-iron is the ideal material for an hob grid, this due to the manifold properties characterising it: high heat capacity that improves cooking performance; high weight and stability that improve safety; sturdiness that preserves the hob's original aspect over time; easy cleaning.

---

**Safe cooking** All Foster cooker hobs are equipped with safety valves. They shut off the gas supply very quickly if the flame accidentally goes out.

---

## Special burners

Many Foster hobs are equipped with special burners, with two or three rings of fire that greatly increase the power delivered and the heated surface. In the DUAL models the two fire crowns also have independent ignition, making these burners perfect for both intensive and delicate cooking.

---

## Under-knob ignition

The utmost freedom of movement with electronic under-knob ignition, a common feature of all models that allows a one-hand ignition of the burner.

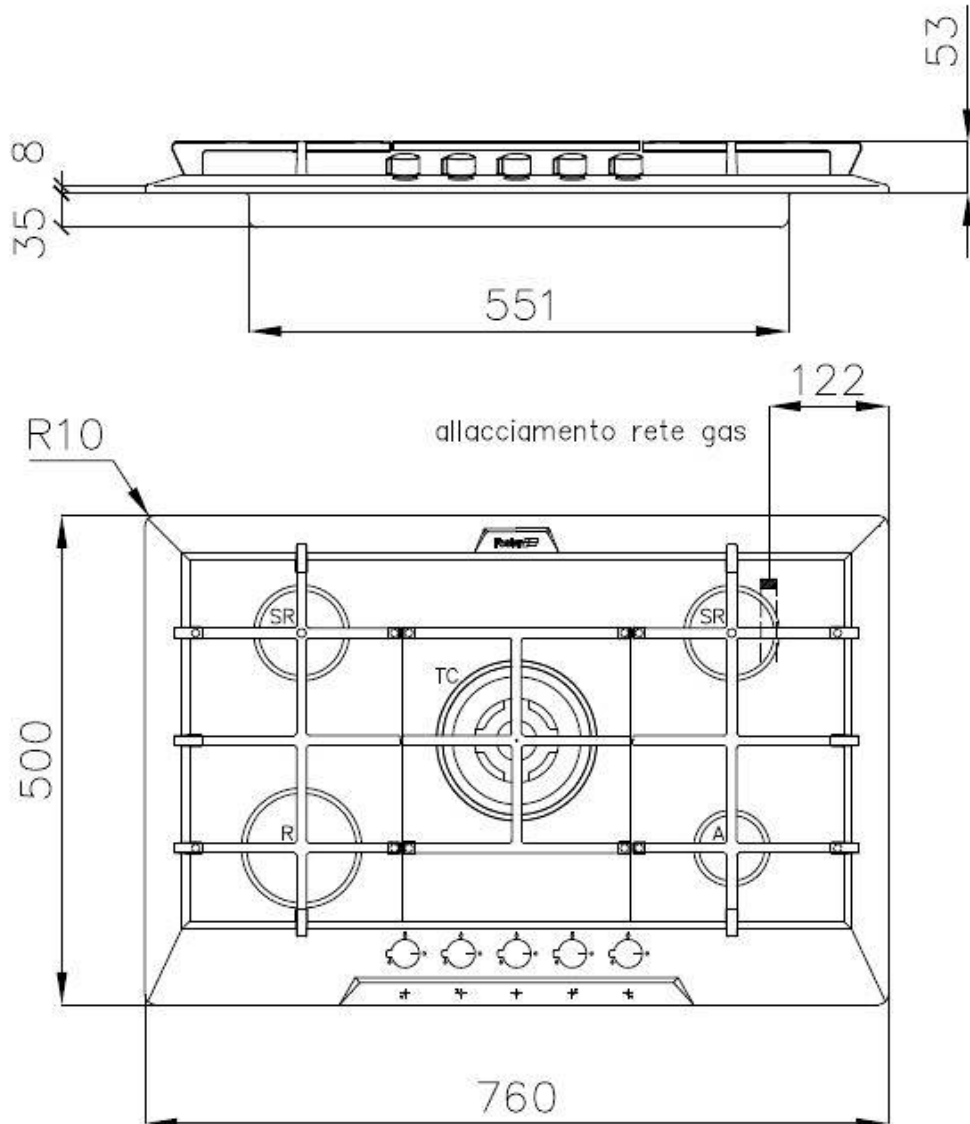
---

## Narrow cut-out

These 5 burners products for standard built-in installation require a cut-out of only 56 cm, i.e. less than their nominal width. This makes them an interesting alternative for 60 cm models, which usually require the same cut-out.

---

## TECHNICAL DATA



## OPTIONAL ACCESSORIES



**Cast iron wok support**  
9601 727

## RECOMMENDED PAIRINGS



**Hood KS Lux**  
2504 094