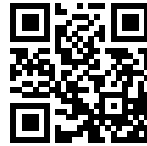


## Cooker hob KF Marine

Gas hobs

Code: 7666 962



### DETAILS

Edge/Installation Type      Standard (8 mm Edge)

---

Finish      Foster brushed

---

Material      Stainless steel AISI 316

---

Texture      Brushed in line

---

Supply      220-240 V; 50/60 Hz

---

Dimensions      760x500 mm

---

Base size      80cm

---

Heating element      Five burners

---

Built-in hole      560x480 mm

---

Grids Cast iron grids and enamelled burner covers

---

Width 76 cm

---

Total power 10.700 W

---

Auxiliary 1.000 W

---

Semirapid 2x1.750 W

---

Rapid 2.700 W

---

Triple crown 3.500 W

---

Safety Safety valve with quick-acting thermocouple

---

Ignition Electric ignition under knob

---

Gas type Tested for installation with natural gas, LPG nozzle set included.

---

Type Gas Hob

---

## FEATURES

**Cast iron grids** Cast-iron is the ideal material for an hob grid, this due to the manifold properties characterising it: high heat capacity that improves cooking performance; high weight and stability that improve safety; sturdiness that preserves the hob's original aspect over time; easy cleaning.

---

**Marine stainless steel** The Marine collection of sinks and hobs uses AISI 316 stainless steel, a superior quality material and widely used in the marine industry, which guarantees the best resistance to the corrosive effects of acids contained in food, salt and detergents.

---

## Safe cooking

All Foster cooker hobs are equipped with safety valves. They shut off the gas supply very quickly if the flame accidentally goes out.

---

## Special burners

Many Foster hobs are equipped with special burners, with two or three rings of fire that greatly increase the power delivered and the heated surface. In the DUAL models the two fire crowns also have independent ignition, making these burners perfect for both intensive and delicate cooking.

---

## Ultra-flat hob

Design meets functionality in the the ultra-flat models. Elegant grids that form a generously sized overall surface.

---

## Under-knob ignition

The utmost freedom of movement with electronic under-knob ignition, a common feature of all models that allows a one-hand ignition of the burner.

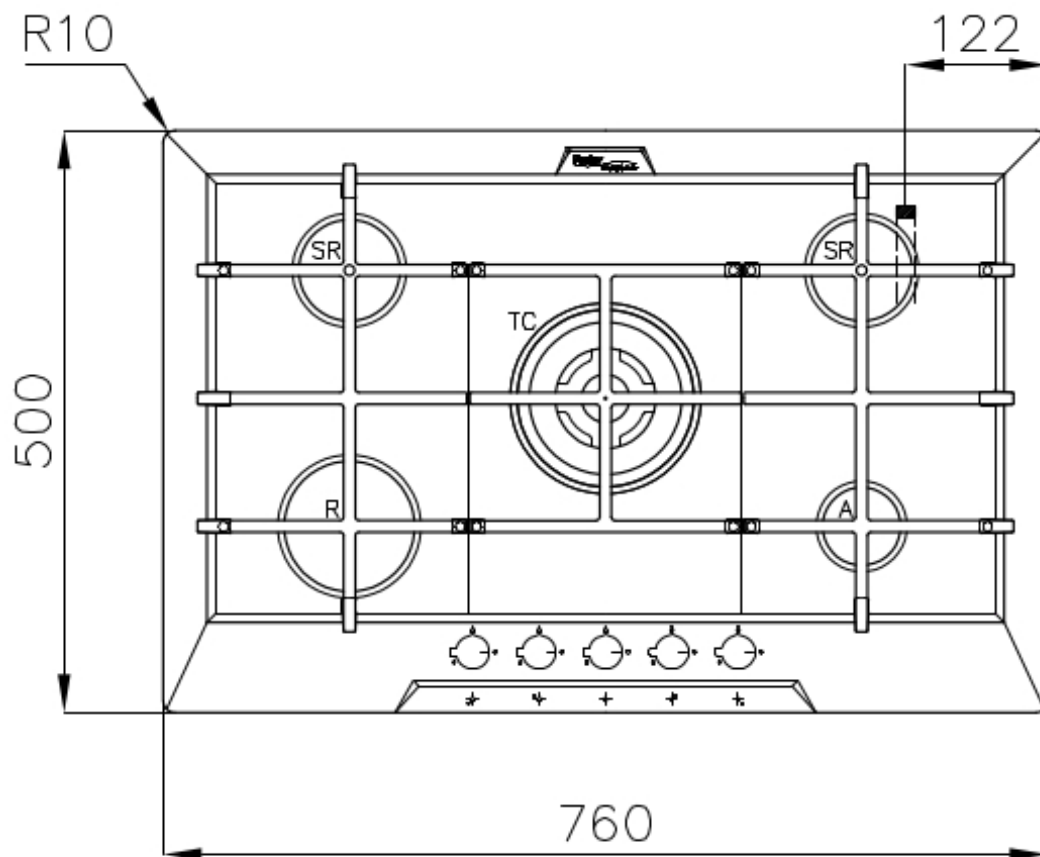
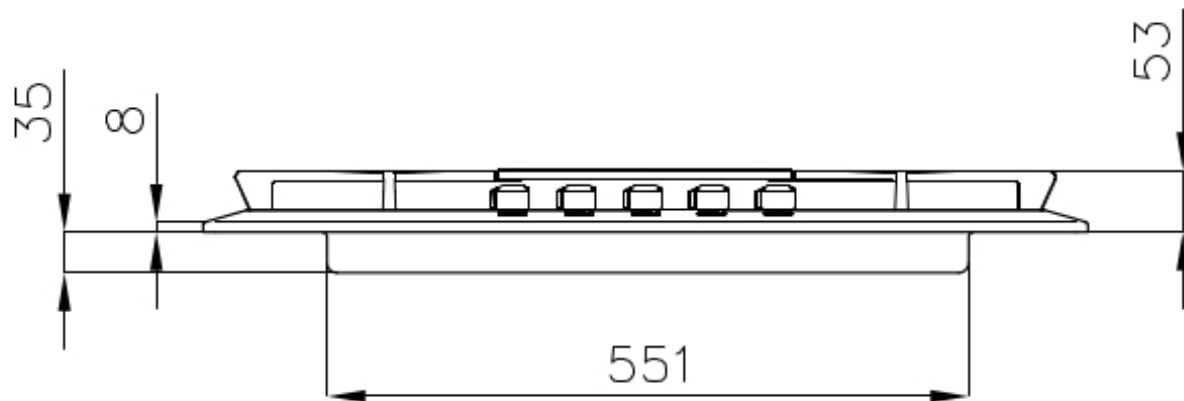
---

## Narrow cut-out

These 5 burners products for standard built-in installation require a cut-out of only 56 cm, i.e. less than their nominal width. This makes them an interesting alternative for 60 cm models, which usually require the same cut-out.

---

## TECHNICAL DATA



## GALLERY



## OPTIONAL ACCESSORIES



Cast iron wok support

## RECOMMENDED PAIRINGS



Hood KS Lux



Sink FM