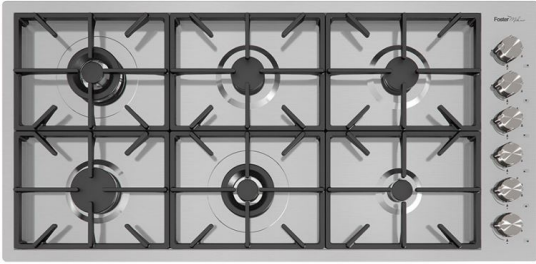


Cooker hob Foster Milano 7649 000



Cooker hobs

Code: 7649 000



DETAILS

Supply 220-240 V; 50.60 Hz

Edge/Installation Type Q4 (4 mm Edge)

Dimensions 1154x560 mm

Base size 120cm

Heating element six burners

Cut out 1134x540 mm

Grids Cast iron grids and enamelled burner covers

Material/Finish Foster-brushed finish AISI 304 stainless steel

Total power 15.900 W

auxiliary 1.000 W

semirapid 2x1.750 W

rapid 3.000 W

Dual 2x4.200 W

Power settings 9 power settings per zone

Safety Safety valve with quick-acting thermocouple

Ignition Electric ignition under knob

Gas type Tested for installation with natural gas, LPG nozzle set included.

Type Gas Hob

EQUIPMENT

FEATURES

56 cm deep 56 cm deep. An increased dimension synonymous with great functionality, which distinguishes the Foster Milano series.

Aeo burners The AEO burners guarantee up to 25% energy saving compared to standard burners. All models are designed with The Dual burner with 2 independent crowns, controlled by a single knob, delivers from 1 to 5KW, a power that can only be found in professional models.

Cast iron grids

Cast-iron is the ideal material for an hob grid, this due to the manifold properties characterising it: high heat capacity that improves cooking performance; high weight and stability that improve safety; sturdiness that preserves the hob's original aspect over time; easy cleaning.

Safe cooking

All Foster cooker hobs are equipped with safety valves. They shut off the gas supply very quickly if the flame accidentally goes out.

Special burners

Many Foster hobs are equipped with special burners, with two or three rings of fire that greatly increase the power delivered and the heated surface. In the DUAL models the two fire crowns also have independent ignition, making these burners perfect for both intensive and delicate cooking.

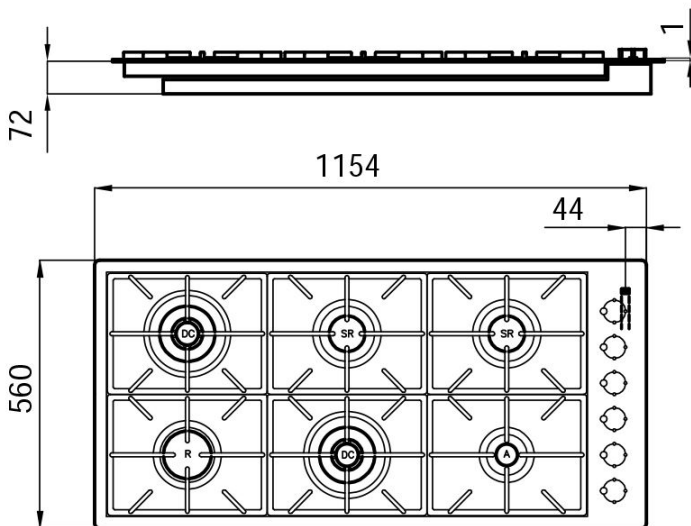
Under-knob ignition

The utmost freedom of movement with electronic under-knob ignition, a common feature of all models that allows a one-hand ignition of the burner.

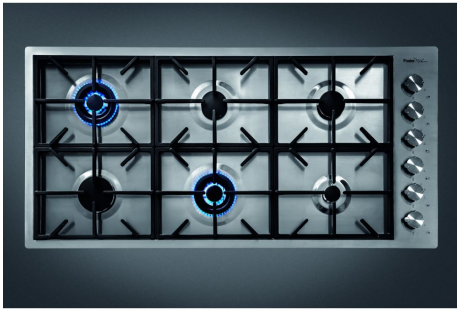
Xxl grids

The weighty enamelled cast iron grid has extraordinary dimensions, 33x25 cm, with a working surface up to 50% bigger compared to a standard cooker hob. Now you can use all the burners at the same time even with large cookware.

TECHNICAL DATA



GALLERY



EQUIPMENT



Cast iron wok support 9601 668

OPTIONAL ACCESSORIES



Induction Pro - Cookware set -
8pcs 8210 008

RECOMMENDED PAIRINGS



Sink Foster Milano 1018 050