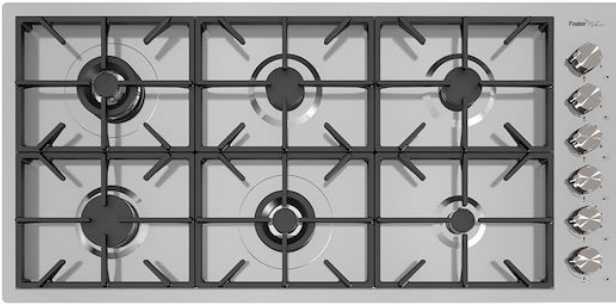


Cooker hob Foster Milano

Gas hobs

Code: 7639 000



DETAILS

Edge/Installation Type Flush-mount | Top-mount

Finish Foster brushed

Material AISI 304 stainless steel

Satin Finish

Texture Brushed in line

Supply 220-240 V; 50/60 Hz

Dimensions 1154x560 mm

Base size 120cm

Heating element six burners

Cut out	Check technical data sheet
Grids	Cast iron grids and enamelled burner covers
Width	115 cm
Total power	15.900 W
Auxiliary	1.000 W
Semirapid	2x1.750 W
Rapid	3.000 W
Dual	2x4.200 W
Power settings	9 power settings per zone
Safety	Safety valve with quick-acting thermocouple
Ignition	Electric ignition under knob
Gas type	Tested for installation with natural gas, LPG nozzle set included.
Type	Gas Hob

EQUIPMENT

2 x Cast iron Wok support 9601
727

FEATURES

56 cm deep

56 cm deep. An increased dimension synonymous with great functionality, which distinguishes the Foster Milano series.

Aeo burners

The AEO burners guarantee up to 25% energy saving compared to standard burners. All models are designed with The Dual burner with 2 independent crowns, controlled by a single knob, delivers from 1 to 5KW, a power that can only be found in professional models.

Safe cooking

All Foster cooker hobs are equipped with safety valves. They shut off the gas supply very quickly if the flame accidentally goes out.

Special burners

Many Foster hobs are equipped with special burners, with two or three rings of fire that greatly increase the power delivered and the heated surface. In the DUAL models the two fire crowns also have independent ignition, making these burners perfect for both intensive and delicate cooking.

Ultra-flat hob

Design meets functionality in the the ultra-flat models. Elegant grids that form a generously sized overall surface.

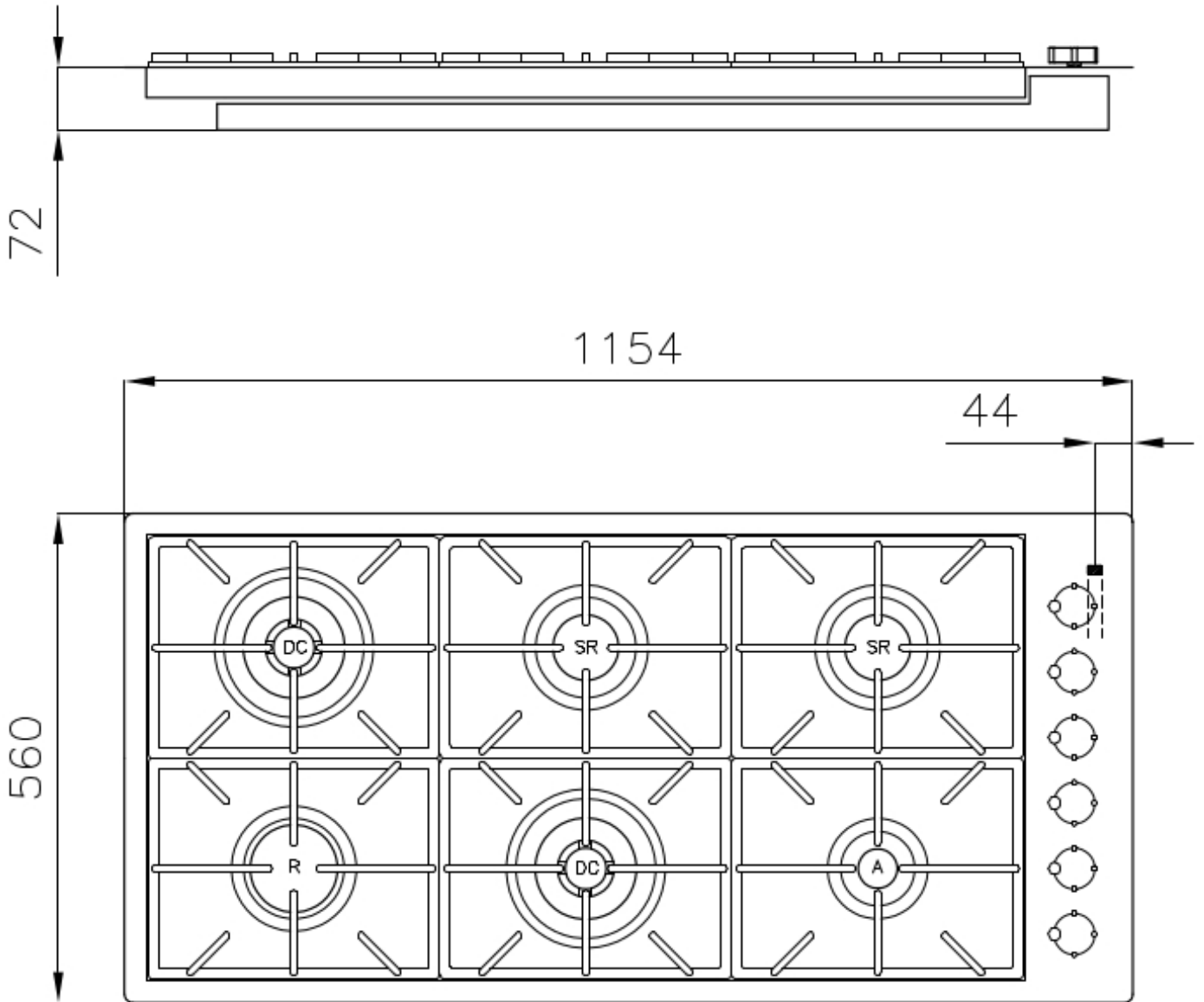
Under-knob ignition

The utmost freedom of movement with electronic under-knob ignition, a common feature of all models that allows a one-hand ignition of the burner.

XXL grids

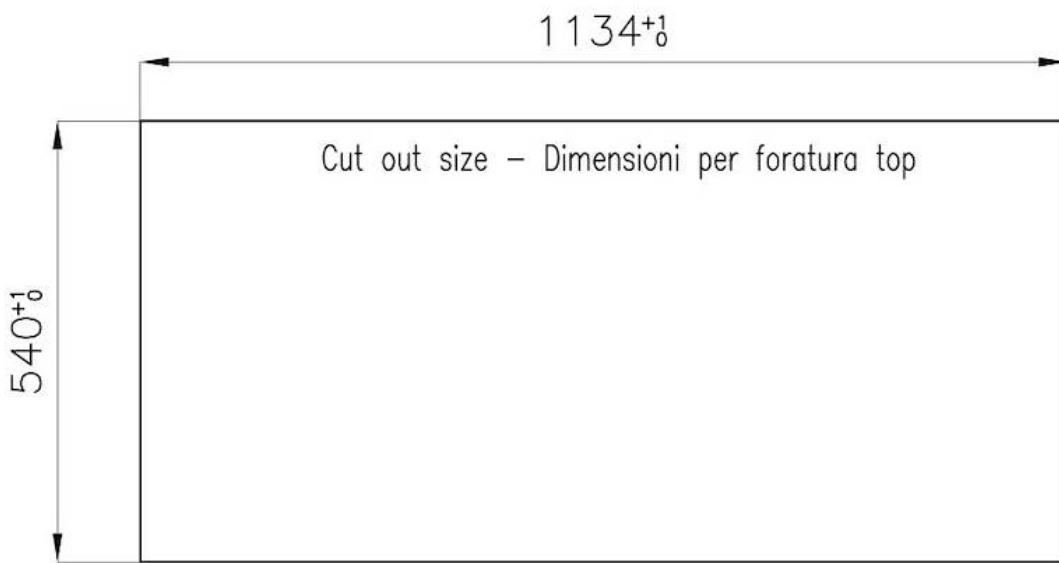
The weighty enamelled cast iron grid has extraordinary dimensions, 33x25 cm, with a working surface up to 50% bigger compared to a standard cooker hob. Now you can use all the burners at the same time even with large cookware.

TECHNICAL DATA



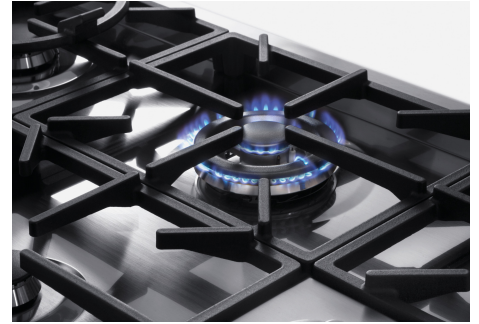
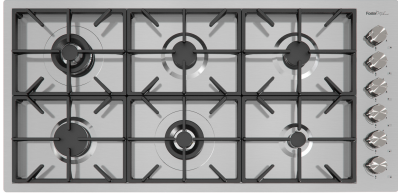


FT



FTS

GALLERY



EQUIPMENT



Cast iron wok support

RECOMMENDED PAIRINGS



Hood S4001 island



Sink Foster Milano