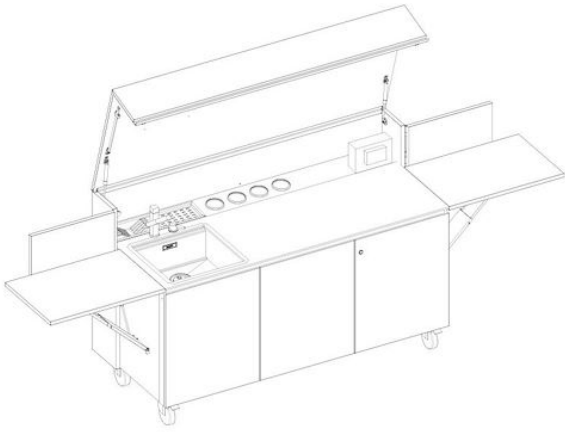


## Finalmente bed and breakfast cooking station

Freestanding

Code: 7555 003



### DETAILS

Material Stainless steel AISI 316

---

Texture Brushed in line

---

Dimensions (open) 327 x 78 x (h)178 cm

---

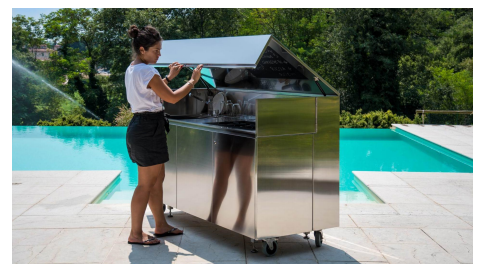
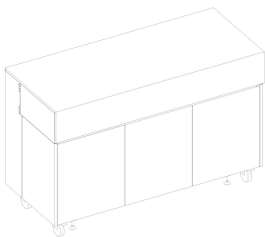
Dimensions (closed) 185 x 78 x (h)115 cm

---

Weight 285 kg

---

### GALLERY



## OPTIONAL ACCESSORIES



**Black grid**  
8100 600



**Glass chopping board**  
8631 300



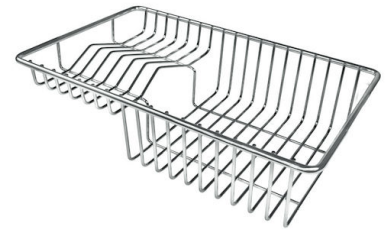
**HPDE Twin chopping board**  
8644 101



**Induction PRO - Grill pan**  
8212 000



**Induction Pro - Wok pan with flat bottom PRO**  
8211 000



**Stainless steel plate rack**  
8100 303  
\* only in combination with the accessory  
8644 101



**Walnut-wood chopping board**  
8642 000