

Insieme Sink + Beer

Freestanding

Code: 7555 015



DETAILS

Type Sink + Beer tap

Material Stainless steel AISI 316 L with alveolar aluminum support

Cover HPL wood effect

Texture Brushed in line

Dimensions 140 X 70 X (h)162 cm

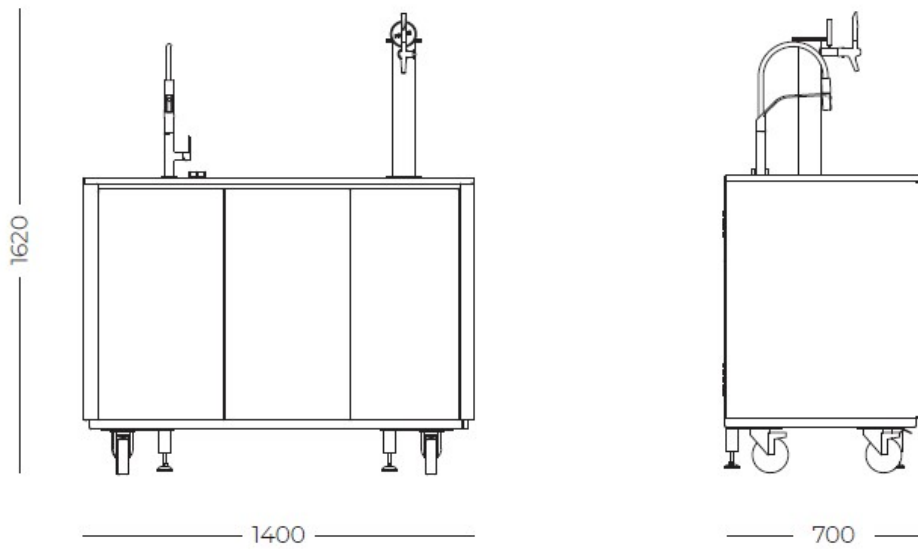
Framework Carbon steel welded tubular structure with painting cycle for outdoor use
4 wheels (2 with locking system)
2 adjustable feet for laying on the ground
Front door fittings
50 l / beer cooler / h
Compartment for positioning the beer keg

Wheels Yes

Weight 200 kg

Foster integrated products	1241 050 - Square sink AISI 316 340 x 400 mm 8425 100 - Milanello mixer 8407 115 - Space Milano automatic waste fitting
Integrated beer dispenser	Beer dispenser mounted on a fixed collapsible column (beer cooling capacity - 50 l / h) Stainless steel welded tray for collecting liquids equipped with a glass refreshing system
Rear features	Hot and cold water connection Electrical connection
Accessories supplied	Waterproof PVC sheet (650 g / m ²)
Optional accessories	Independent water supply system (50 l tank) positioned in the compartment under the tank
By request	Welded tubular structure in AISI 316L stainless steel

TECHNICAL DATA



GALLERY



EQUIPMENT



Mixer Tap Milanello



Sink Quadra



Space Milano automatic waste fitting