

## Insieme Sink + induction

Freestanding

Code: 7555 007



### DETAILS

Type Sink + Induction cooking

Material Stainless steel AISI 316 L with alveolar aluminum support

Framework Carbon steel welded tubular structure with painting cycle for outdoor use  
Lid / sliding table in HPL with anti-closing system  
Retractable socket holder (230V 16A IP66)  
4 wheels (2 with block)  
4 adjustable feet for laying on the ground

Cover HPL wood effect

Texture Brushed in line

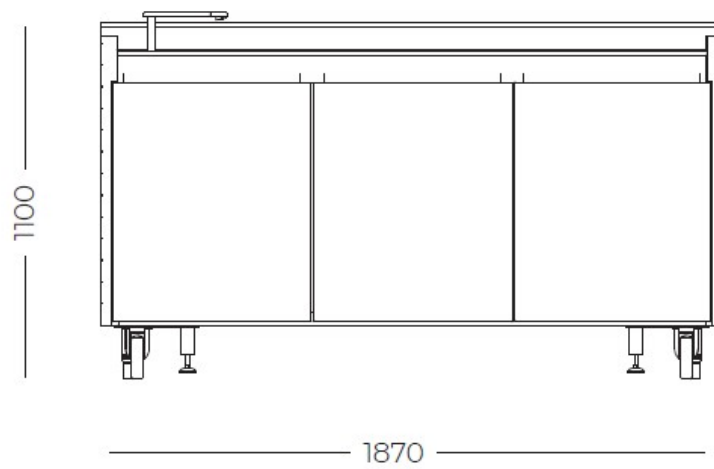
Dimensions (open) 187 x 155 x (h) 110 cm

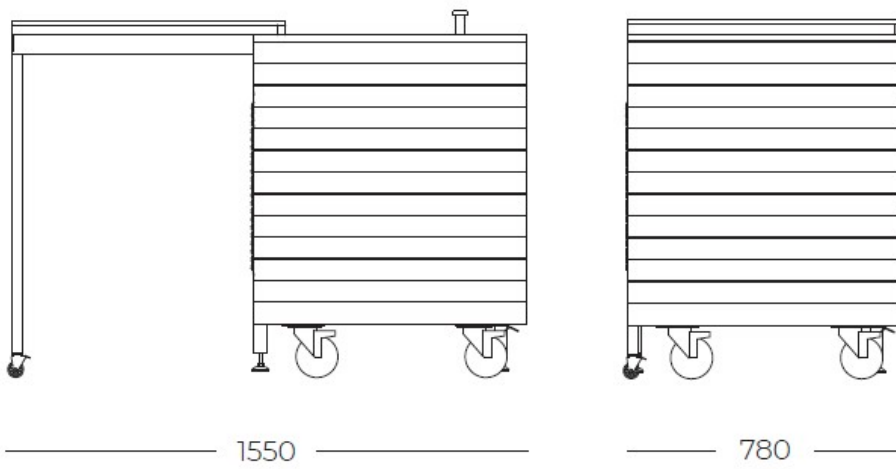
Dimensions (closed) 187 x 78 x (h) 110 cm

Weight 295 Kg

Wheels	Yes
Foster integrated products	1235 050 - Quadra sink AISI 316 8499 000 Eclipse folding mixer 7341 655 - Induction hob S4000 Domino 2 zones max power 3.700 W 230 V 50/60 Hz
Front door equipment	60l undercounter refrigerator (class C) Compartment with shelf in HPL / stainless steel Pull-out drawer with differentiated story with 4 compartments
Rear features	Electrical panel IP66 32A Wall-mounted single-phase plug 230V 32A IP66 Hot and cold water connection
Accessories supplied	Waterproof PVC sheet (650 g / m2)
Optional accessories	Independent water supply system (50 l tank) positioned in the compartment under the tank
By request	Welded tubular structure in AISI 316L stainless steel

## TECHNICAL DATA

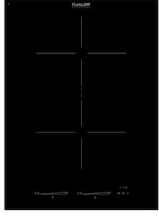




## GALLERY



## EQUIPMENT



Cooker hob S4000 Domino  
Induction



Mixer Tap Eclipse



Sink Quadra