

Cooker hob - Modular Induction Plate

Induction Hobs

Code: 7361 275



DETAILS

Coloring White

Edge/Installation Type Flush-mount | Top-mount

Material Ceramic glass

Supply Single-phase: 230 V; 1P + N; Two-phase 400 V; 2P + N; 50.60 Hz

Dimensions \varnothing 270 mm

Full description Induction plate \varnothing 270 mm - white - for Modular Induction system

Heating element single zone

Total power 1.100 (1.400)* W

Power settings 9 power settings per zone + Powerboost

Safety

Safety equipment

Type

Induction Hob

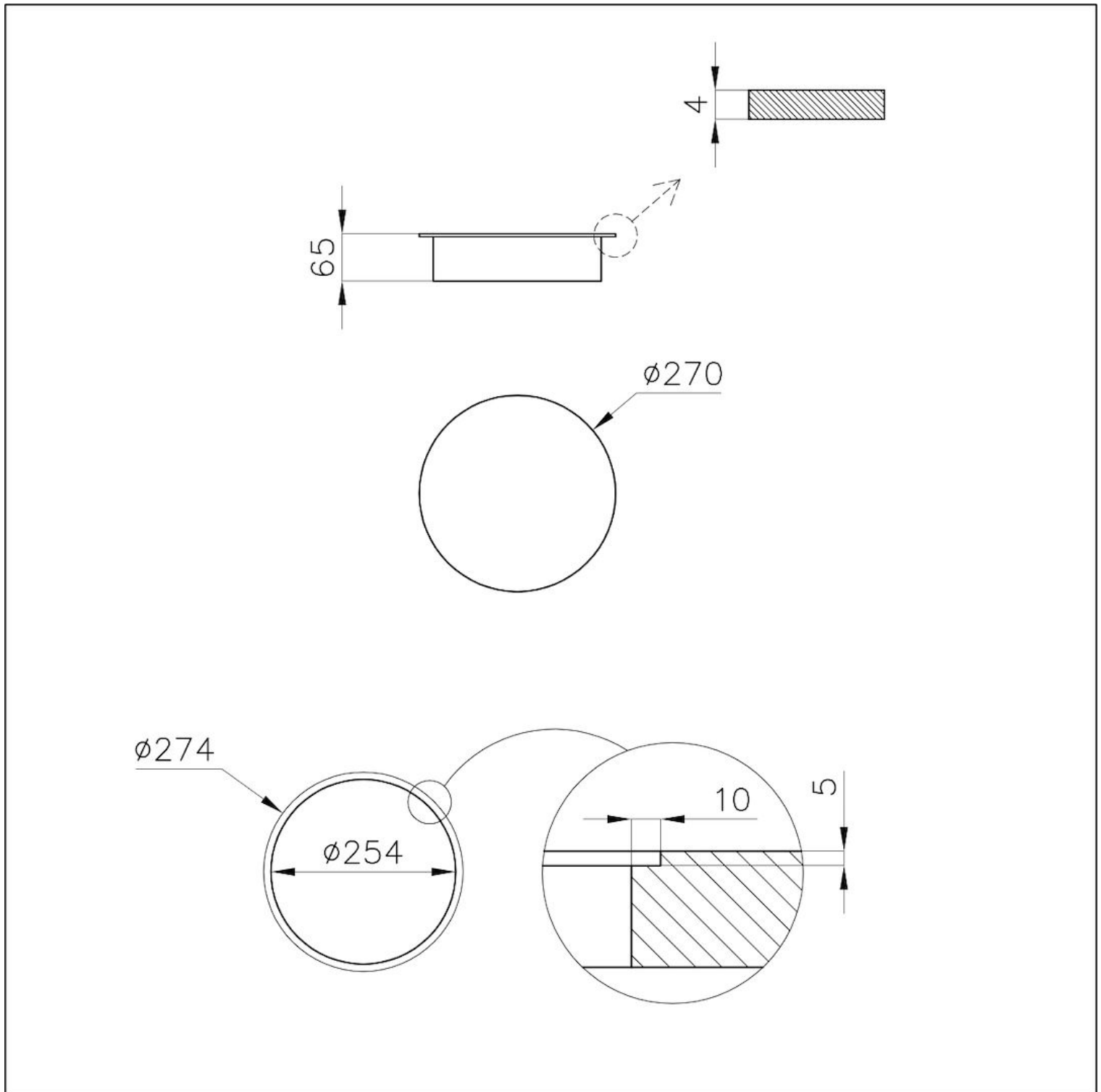
Type of commands

Touch Control

Notes:

* Powerboost

TECHNICAL DATA



OPTIONAL ACCESSORIES



Induction Pro - Cookware set - 8pcs
8210 008

RECOMMENDED PAIRINGS



Cooker hob Touch Control Modular Induction
7368 045



Cooker hob Touch Control Modular Induction
7368 035



Cooker hob Touch Control Modular Induction
7368 025



Modular Induction - Connection Box
7369 040



Modular Induction - Connection Box
7369 030



Modular Induction - Connection Box
7369 020