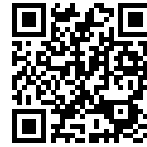
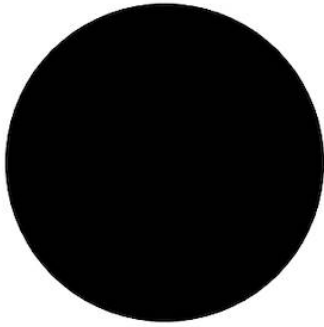


## Cooker hob - Modular Induction Plate

Induction Hobs

Code: 7361 270



### DETAILS

Coloring Black

Edge/Installation Type Flush-mount | Top-mount

Material Ceramic glass

Supply Single-phase: 230 V; 1P + N; Two-phase 400 V; 2P + N; 50.60 Hz

Dimensions  $\varnothing$  270 mm

Full description Induction plate  $\varnothing$  270 mm - black - for Modular Induction system

Heating element single zone

Total power 1.100 (1.400)\* W

Power settings 9 power settings per zone + Powerboost

Safety

Safety equipment

---

Type

Induction Hob

---

Type of commands

Touch Control

---

Notes:

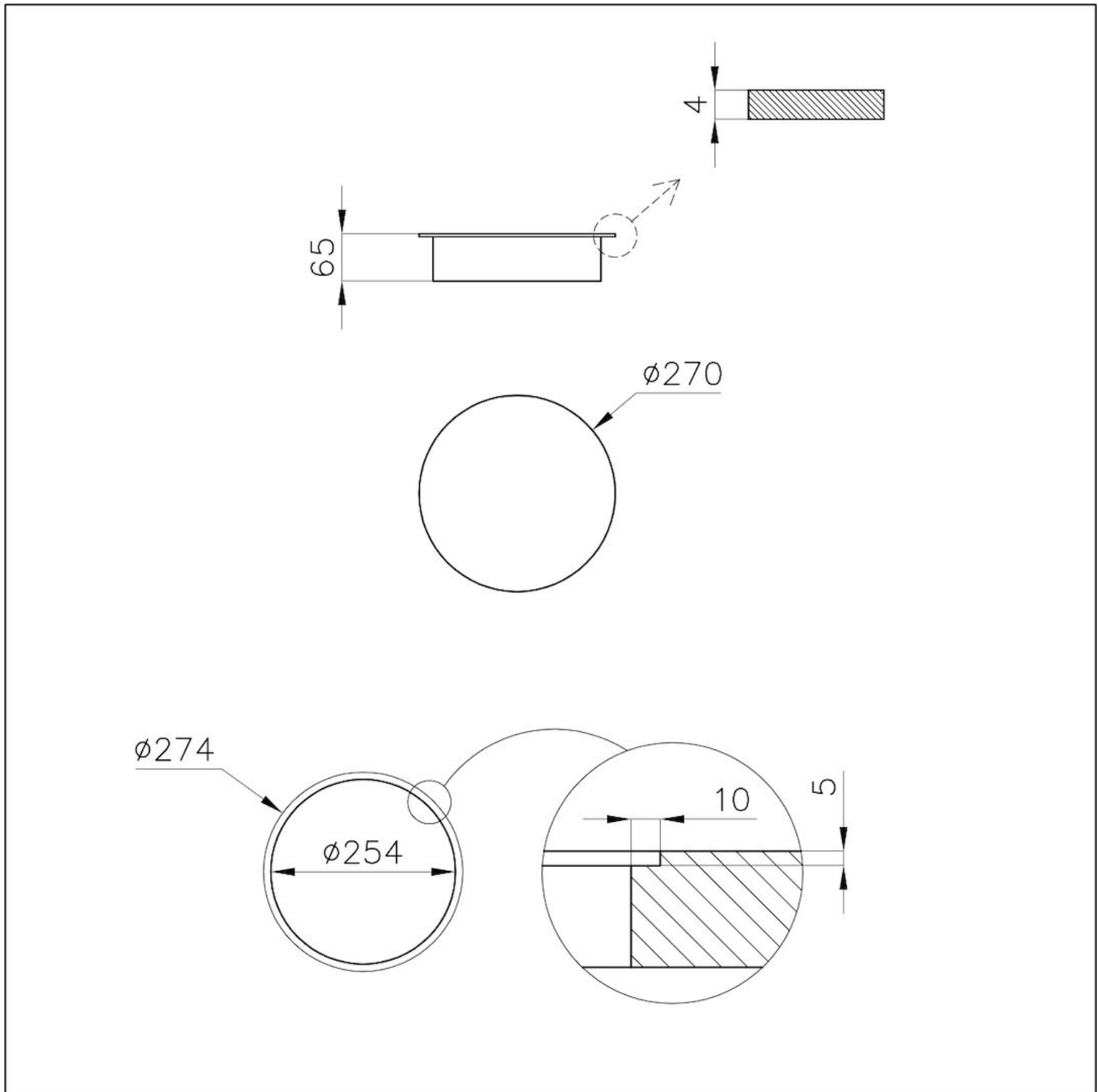
\* Powerboost

---

Notes:

---

## TECHNICAL DATA



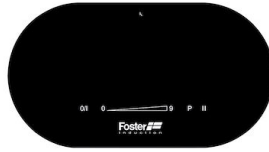
## GALLERY



## RECOMMENDED PAIRINGS



**Cooker hob Touch Control Modular Induction**  
7368 040



**Cooker hob Touch Control Modular Induction**  
7368 030



**Cooker hob Touch Control Modular Induction**  
7368 020



**Modular Induction - Connection Box**  
7369 040



**Modular Induction - Connection Box**  
7369 030



**Modular Induction - Connection Box**  
7369 020